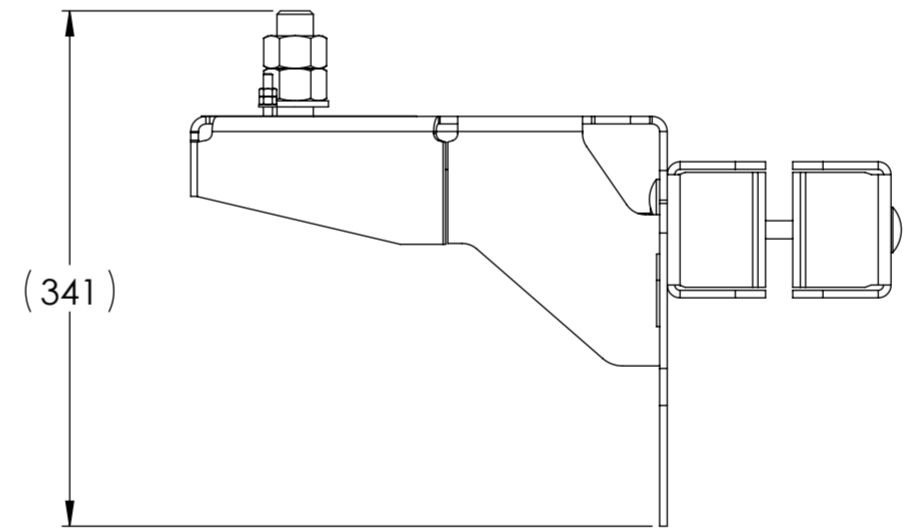
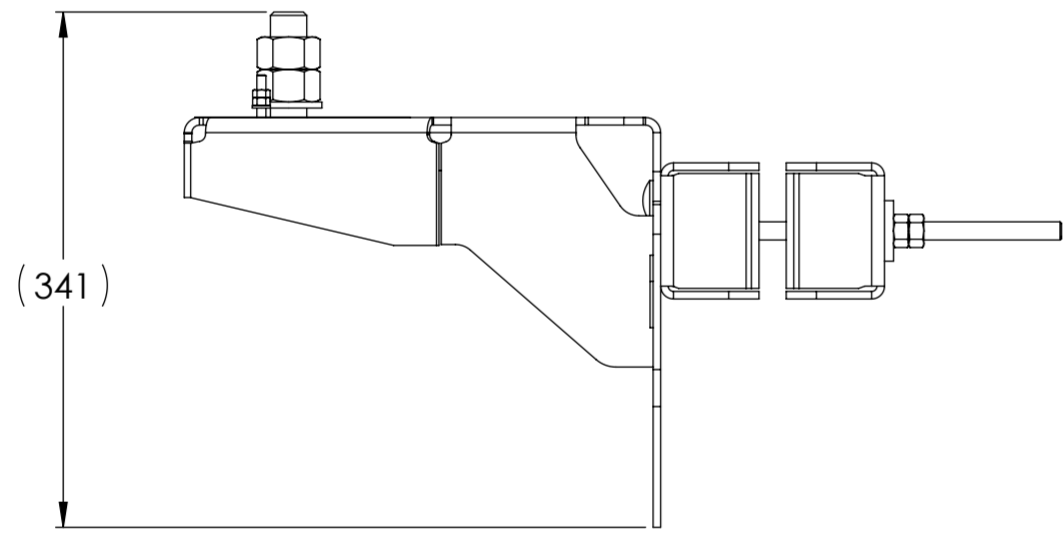
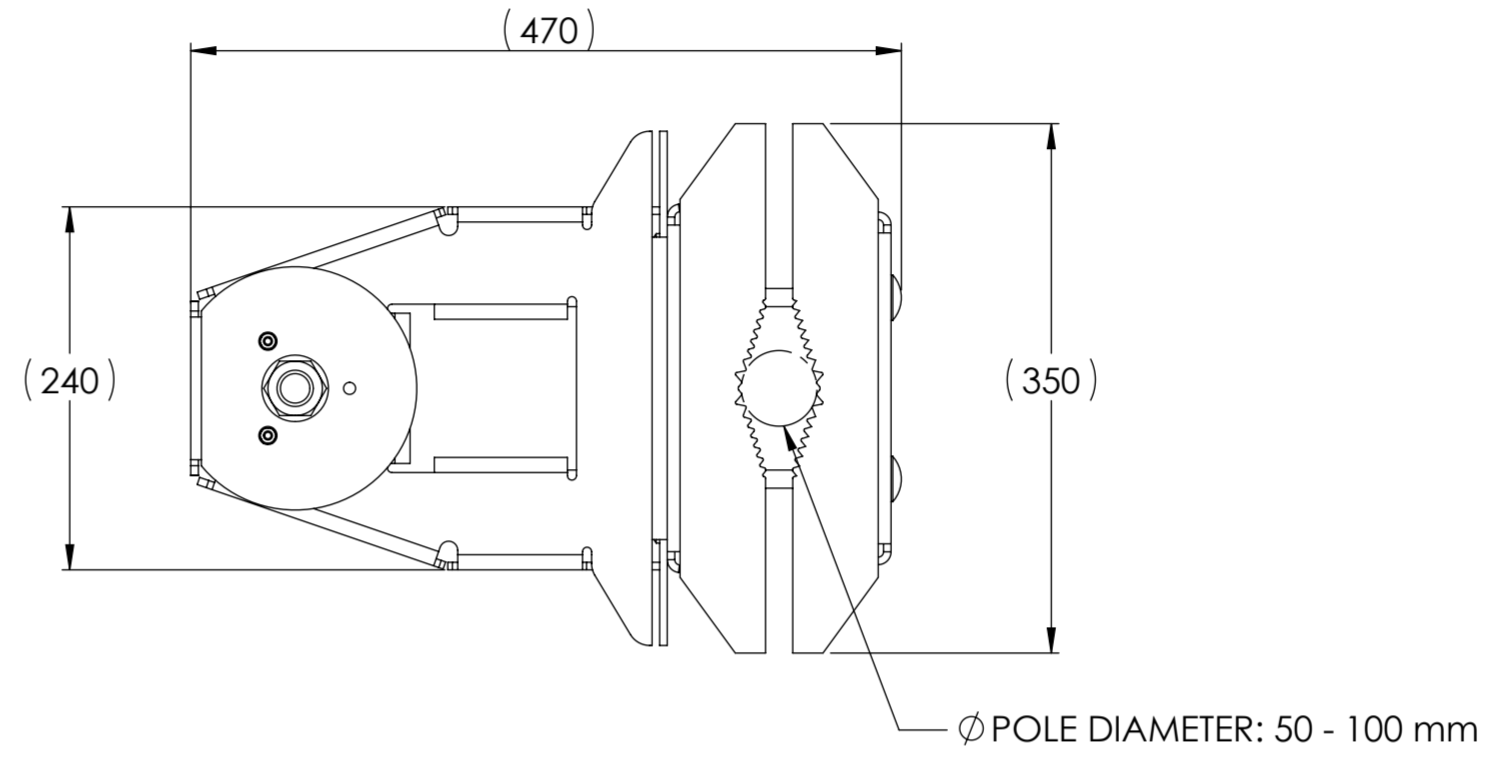
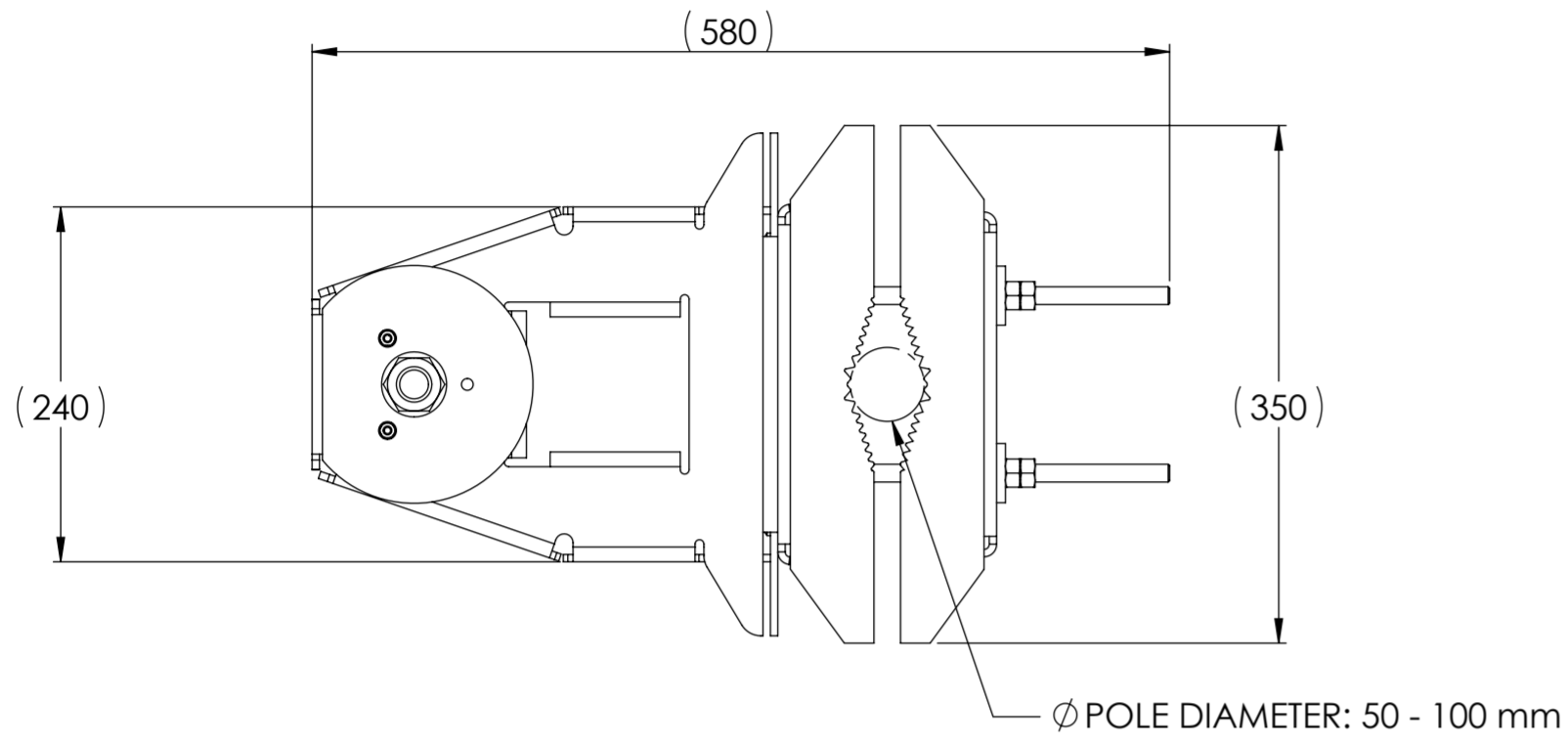


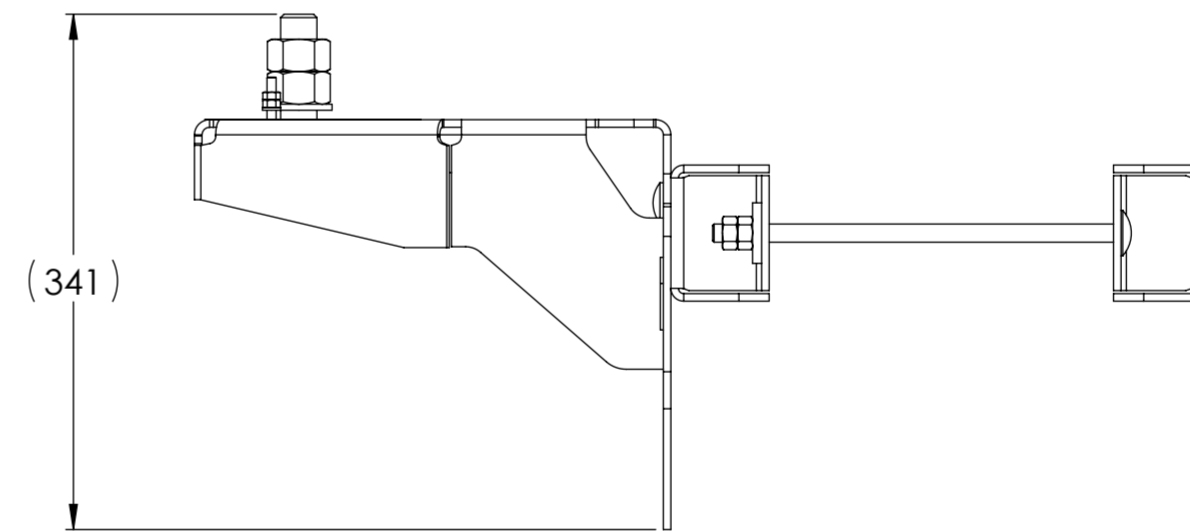
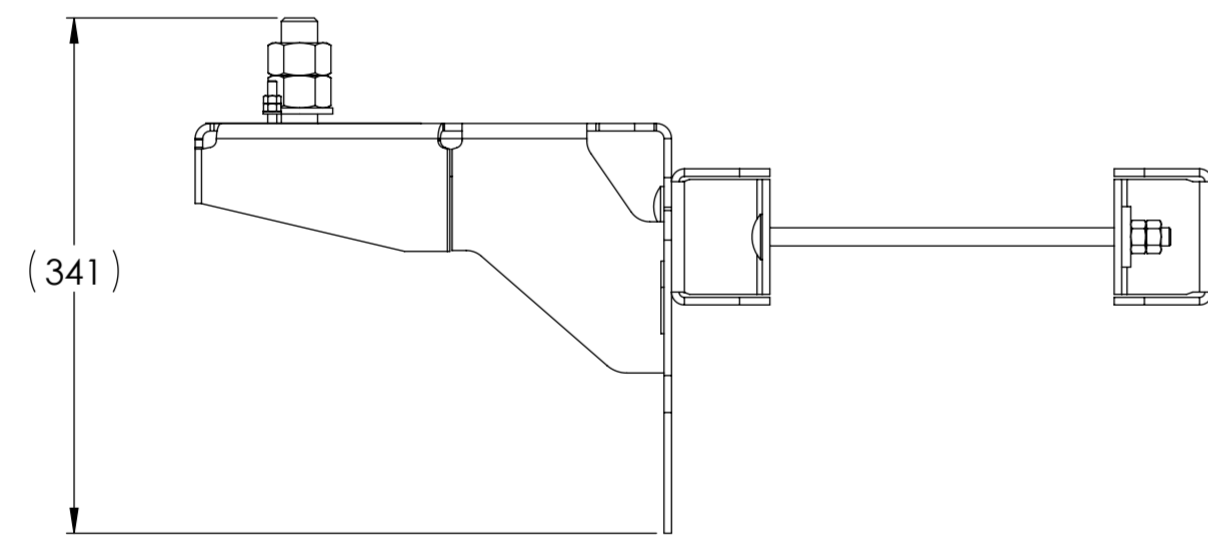
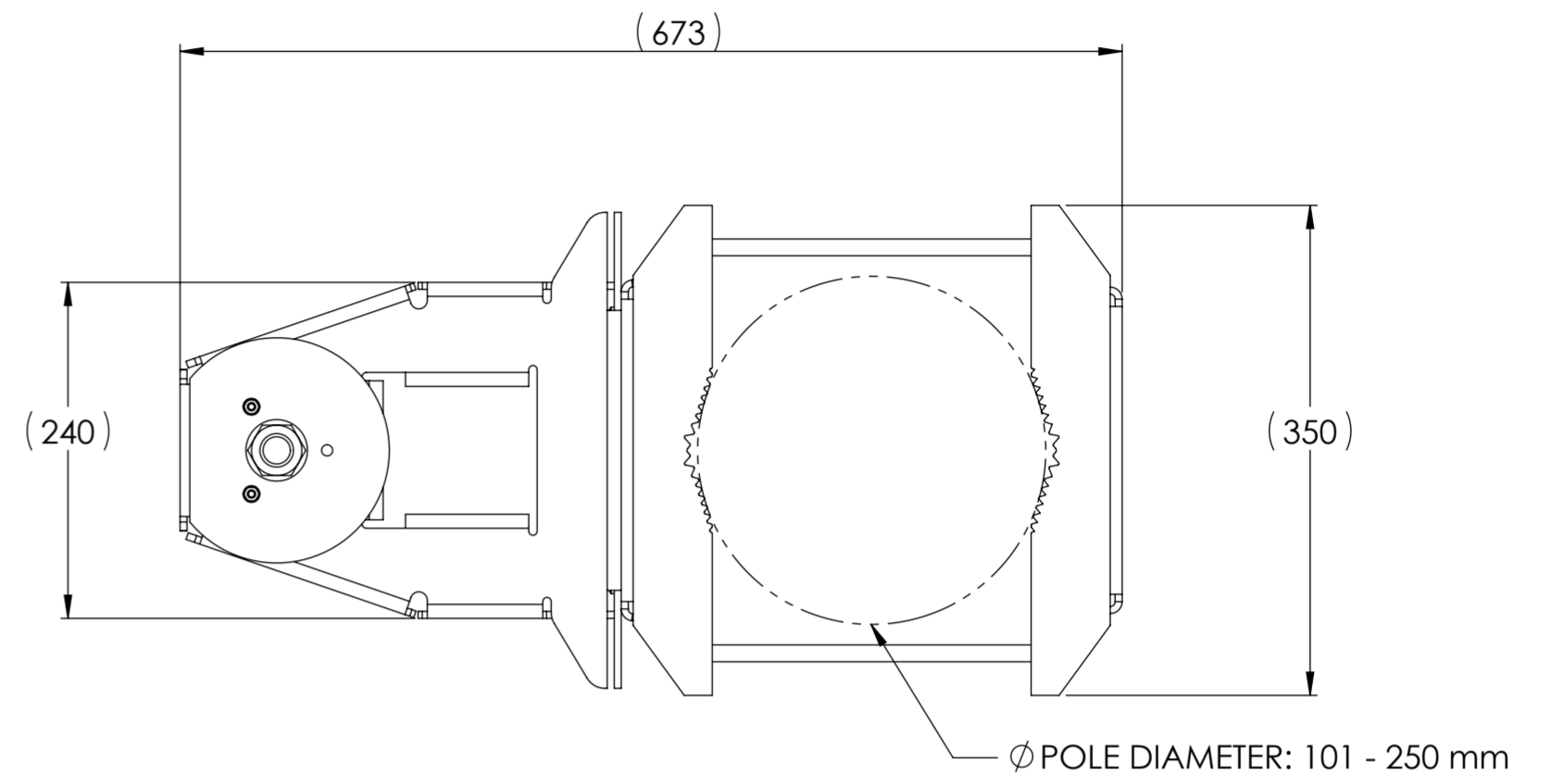
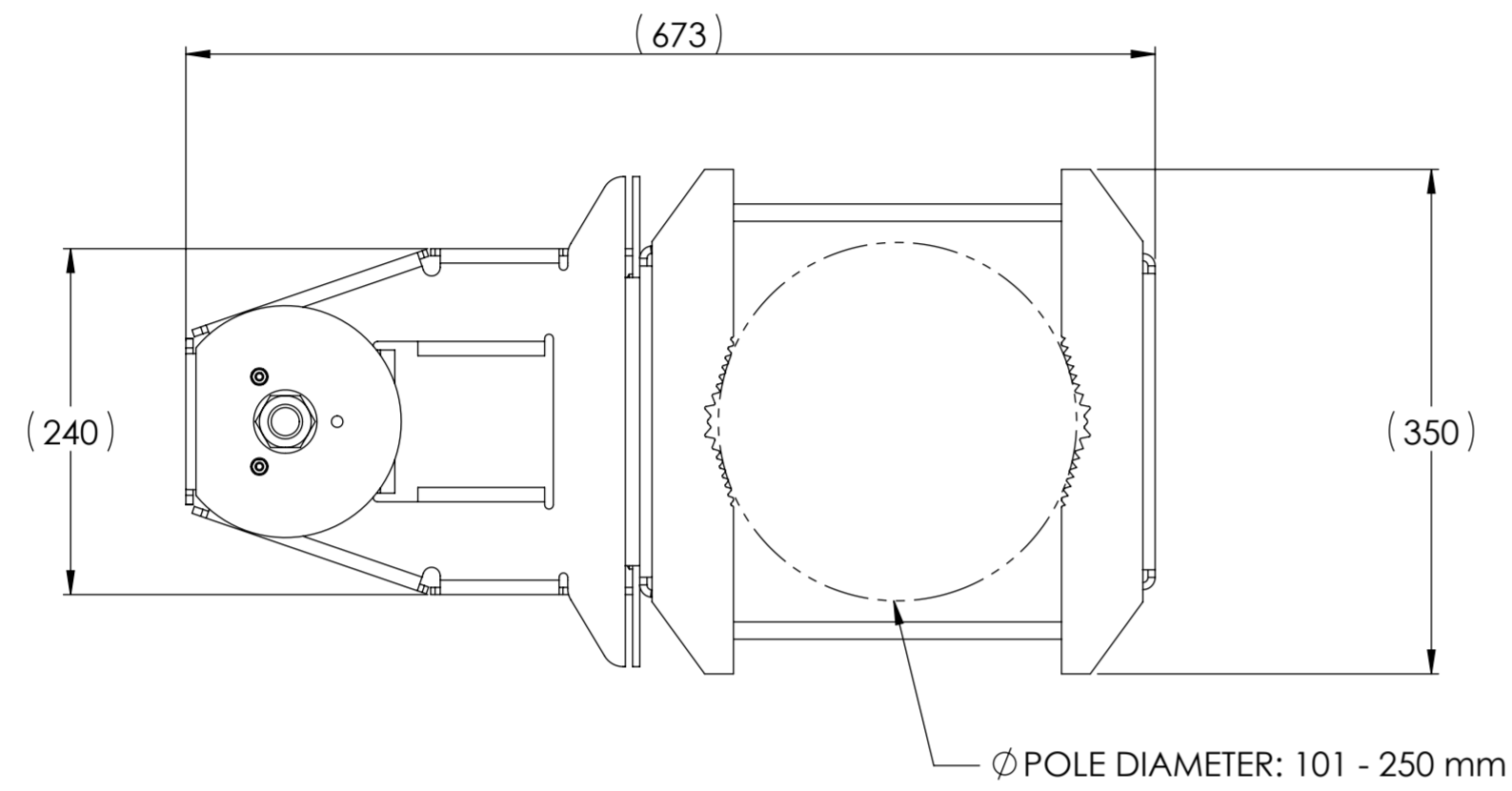
REVISIONS			
REV.	DESCRIPTION	DATE	APPROVED
A	ECR 40179782CMO: REL TO PRODUCTION PER EAO 612745.	27OCT23 WT	SSG/WWJ



MC-MNT-SIDE-370

COMMSCOPE, INC. OF NORTH CAROLINA

TOLERANCES		SAP MATERIAL MASTER	
0 PLACE X ±	2 PLACE .XX ±		
1 PLACE .X ±	ANGLES ±		
FINISH		MATERIAL	
<small>UNLESS OTHERWISE SPECIFIED DIMENSIONS ARE IN MILLIMETERS INTERPRET PER ISO STANDARDS HANDBOOK TECHNICAL DRAWINGS VOLUMES 1 & 2, THIRD EDITION (2002)</small>		NAME	DATE
		CE WT	10/27/2023
		RW TW1026	10/27/2023
		AD SS1224	10/27/2023
		RE XYHANG	10/30/2023
ECN 40179782CMO		SCALE	DOCUMENT NO.
		1:5	MC-MNT-SIDE-370-L
DENSITY	g/mm ³	SIZE	Auth Group BSA
MASS	grams	A2	MODEL
VOLUME	mm ³		VERSION STATUS REVISION
SURFACE AREA	mm ²		00 RE A
HEIGHT			DRAWING
LENGTH			VERSION STATUS REVISION
WIDTH			00 RE A
			SHEET
			1 OF 2



MC-MNT-SIDE-370

COMMSCOPE, INC. OF NORTH CAROLINA				
TITLE				
PRODUCT DRAWING				
SIZE	SCALE	DOCUMENT NO.		
A2	1:5	MC-MNT-SIDE-370-L		
DRAWING				SHEET
VERSION	STATUS	REVISION	2 OF 2	
00	RE	A		

© 2023 CommScope, Inc.