



FOSC® 450 D6 Fiber Optic Splice Closure, Gel Cable sealing, two pre-installed 36-splice trays, with test valve

- Single-ended, O-ring sealed dome closure for splicing feeder and distribution cables
- Gel cable sealing technology allows easy adding or removing of a wide size range of cables
- Compatible with most common cable types: e.g. loose tube, central core, ribbon fiber
- FOSC splice trays hinged for access to any splice without disturbing other trays
- Closure can be used in aerial, pedestal and underground (up to 5 meters) environments
- Compatible with CommScope's CWDM modules and optical splitter trays

Alternative products available:

760251441-US

FOSC450-D6-3-36-2-D6V-US

FOSC® 450 D6 Fiber Optic Splice Closure, Gel Cable sealing, two pre-installed 36-splice trays, with test valve, Build America Buy America (BABA)

Product Classification

Regional Availability

Latin America | North America

Product Type

Single-ended, round fiber closure

Product Brand

FOSC®

Product Series

FOSC 450

General Specifications

Cable Entry Drop Port Style

Round

Cable Entry Main Port Style

Round

Cable Ports Quantity, total

6 round ports

Cable Sealing Type

Compressed gel

Closure Sealing Type

Dome-to-base clamp with O-ring

Closure Style

Single-ended

Color

Black

Fiber Storage Basket Type

D6 standard size

Flash Test Valve

Pre-installed

Ground Feed-through

Included

Mounting

Pole | Strand | Wall

Network Area Type

Feeder

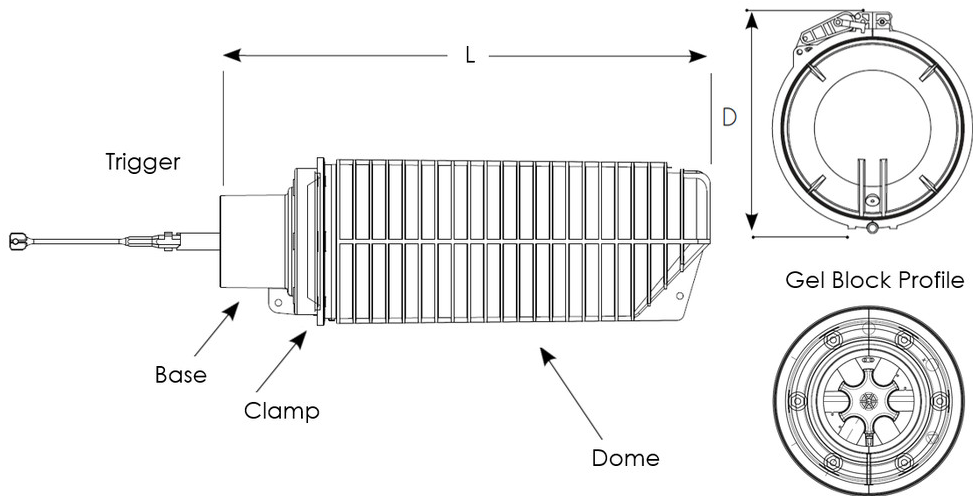
760251441 | FOSC450-D6-3-36-2-D6V

Splice Tray Included, quantity	2
Splice Tray Type Included	36-way, heat shrink
Splicing Capacity, Mass Fusion, maximum	1152
Splicing Capacity, Single Fusion, maximum	576
Splicing Capacity, Single Splice, 12 fibers, maximum	576
Splicing Capacity, Single Splice, 6 fibers, maximum	288
Splicing Type, Supported	Mass fusion Single fusion

Dimensions

Length	753 mm 29.646 in
Diameter	254 mm 10 in
Diameter, with clamp	292 mm 11.496 in
Main Cable Diameter, maximum	25 mm 0.984 in

Dimension Drawing



Ordering Tree

760251441 | FOSC450-D6-3-36-2-D6V

FOSC 450 - XX - X - XX - X - X X X

Closure Size (inches)

A4	4 cable entry ports; 8 dia. x 19 long
BS	6 cable entry ports; 9 dia. x 19.5 long
B6	6 cable entry ports; 10 dia. x 24 long
C6	6 cable entry ports; 11.5 dia. x 23 long
D6	6 cable entry ports; 11.5 dia. x 30 long

Termination Hardware Quantity for the Kit

2	2 cable attachments included
4	4 cable attachments included
6	6 cable attachments included (N/A for A size)

Capacity and Type of Splice Tray

NT	No tray installed in factory
12	A, B, or C tray with two SM6 splice modules
24*	A, B, or C tray with two SM12 splice modules
36	D tray with six SM6 splice modules
72*	D tray with six SM12 splice modules
R1	A, B size ribbon tray (accommodates 12 ribbons/144 fibers)
R2	D size ribbon tray (24 ribbons/288 fibers)
R3	C size ribbon tray (18 ribbons/216 fibers)
SF	Stackable single fusion trays (12 splices)

*Note: SMOUV (1120-01) splice protection sleeves are highly recommended for use with SM12 splice modules.

Quantity of Splice Trays Factory Installed

0 or 1 is standard	Choose either "0" trays (no trays installed) or "1" tray installed. Additional trays sold separately.
--------------------	---

Valve for Flash Testing

V	Valve (standard)
N	No Valve

Note: We recommend flash test valves for FOSC closures. However, non-valved closures are available upon request.

Number of Ground Feed-through Lugs

0	No grounding
1	1 ground feed-through lug (A4 only, N/A for BS)
3	3 ground feed-through lugs (B6, C6, and D6 closures only, N/A for BS)
6	6 ground feed-through lugs (C6 and D6 closure only, N/A for BS)

Note: FEG and MEG kits provide optional ground isolation for FOSC 450 closures.

Slack Basket Type

N	No Basket
A	A4 Standard Size
B	B6, BS Standard Size
C	C6 Standard Size
D	D6 Standard Size
E	Special Bulkhead Basket arrangement for B, BS closures only
T	Tall Size
S	Stackable Trays in D Closure

Note: D-size closures with "N" option include backbone used to route ribbons to ribbon trays. A and B-size closures include storage "socks".

Material Specifications

Material Type

Impact-resistant polymer

Environmental Specifications

Environmental Space

Below ground | Buried

Qualification Standards

IEC 61300, 5 m waterhead

Water Resistance

Flash test valve at 5 psi (40 kPa)

Packaging and Weights

Included

Cable termination attachments (3)

Packaging quantity

1

Packaging Type

Box | Carton

Weight, net

9.07 kg | 19.996 lb

Regulatory Compliance/Certifications

Agency	Classification
CHINA-ROHS	Below maximum concentration value
ISO 9001:2015	Designed, manufactured and/or distributed under this quality management system
REACH-SVHC	Compliant as per SVHC revision on www.commscope.com/ProductCompliance
ROHS	Compliant
UK-ROHS	Compliant

