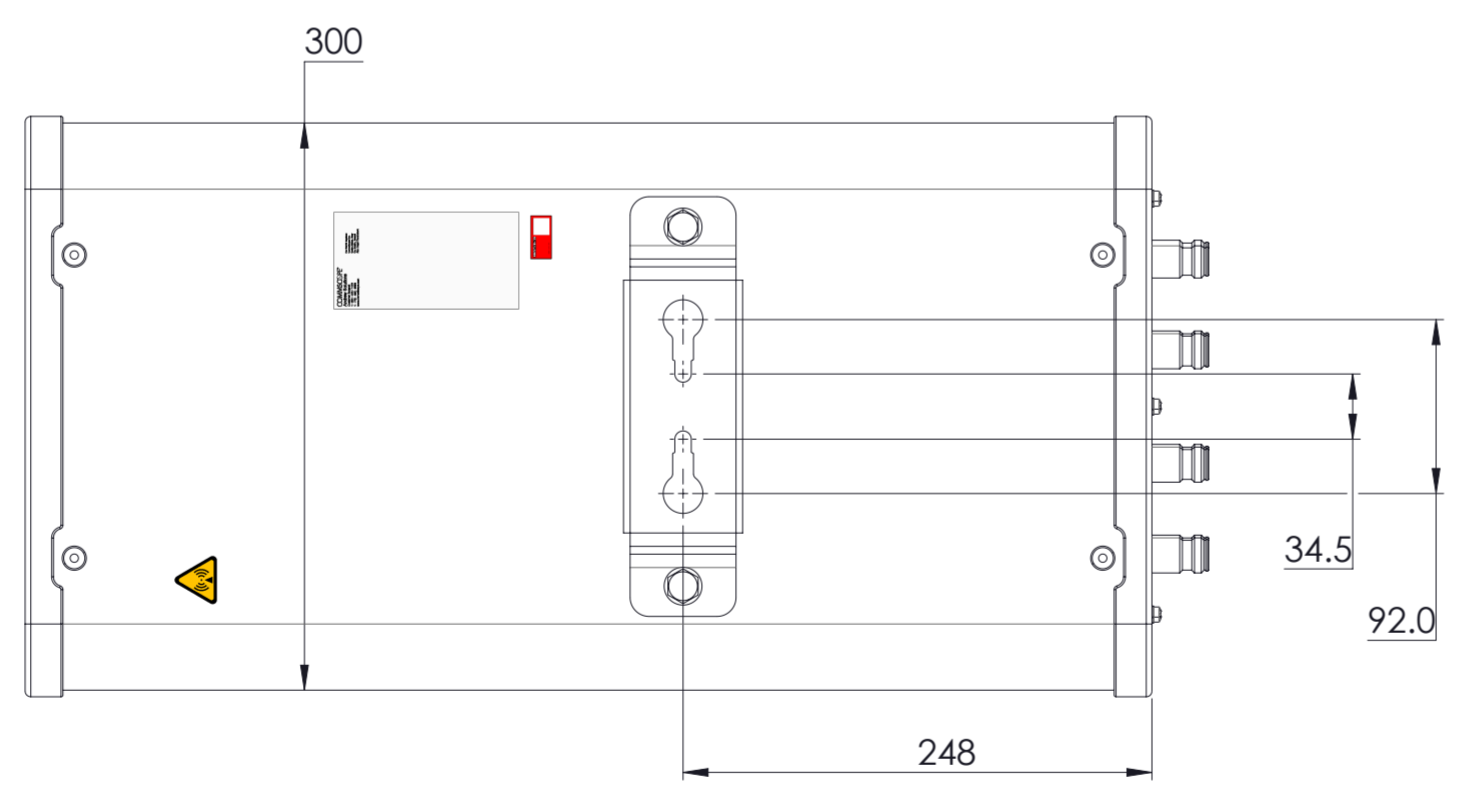
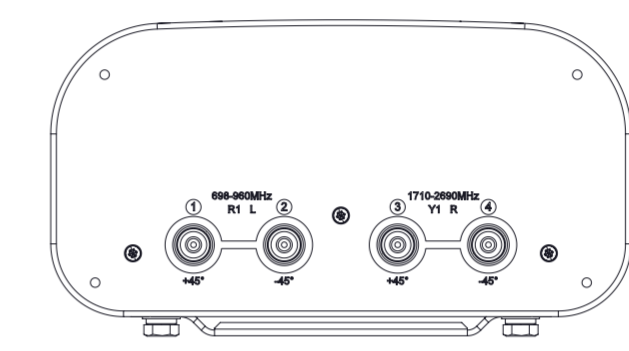
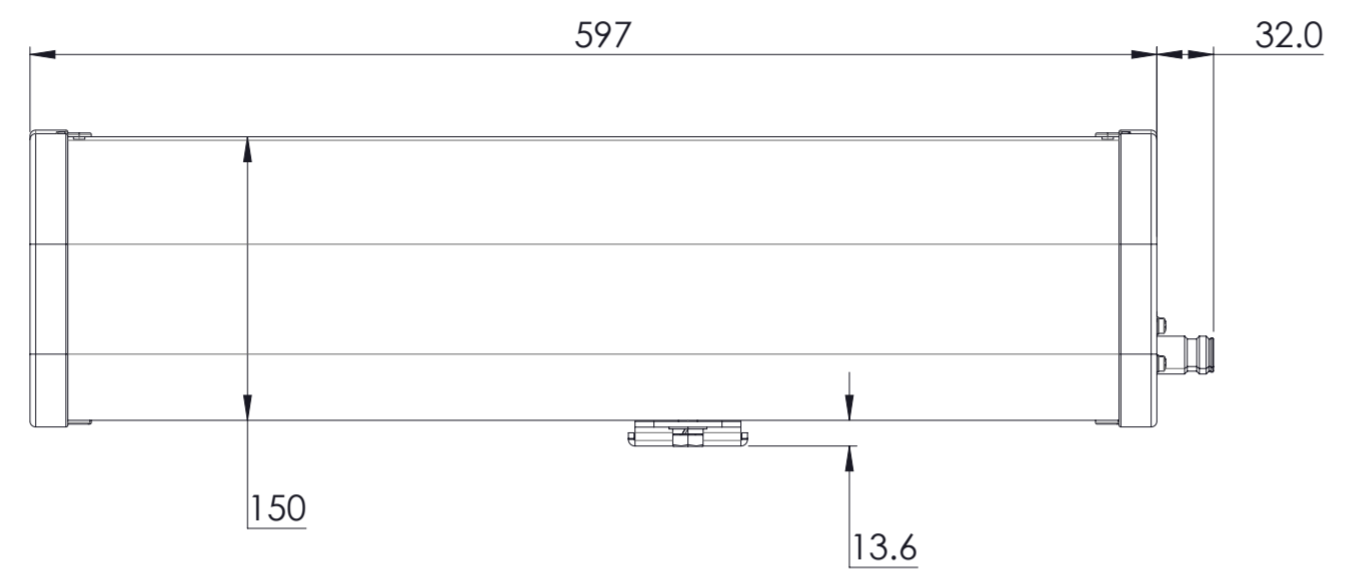


REVISIONS			
REV.	DESCRIPTION	DATE	APPROVED
A	ECR 40188099CMO: RELEASE TO PRODUCTION PER EAO 613300.	26FEB24 LY	SWU/XZJ



RV-65S-FVB

**COMMSCOPE, INC. OF NORTH CAROLINA**

TOLERANCES		SAP MATERIAL MASTER	
0 PLACE X ±	2 PLACE .XX ±		
1 PLACE .X ±	ANGLES ±		
FINISH		MATERIAL	

UNLESS OTHERWISE SPECIFIED DIMENSIONS ARE IN MILLIMETERS INTERPRET PER ISO STANDARDS HANDBOOK TECHNICAL DRAWINGS VOLUMES 1 & 2, THIRD EDITION (2002)	NAME	DATE	TITLE <b>PRODUCT DRAWING</b>
	CE LY1028	26FEB24	
	RW LY1028	02/26/2024	
	AD ZX1004	02/27/2024	
	RE QW1003	02/28/2024	
ECN 40188099CMO			SCALE <b>1:4</b> DOCUMENT NO. <b>RV-65S-FVB-L</b>

DENSITY	g/mm <sup>3</sup>	
MASS	grams	
VOLUME	mm <sup>3</sup>	
SURFACE AREA	mm <sup>2</sup>	

HEIGHT					
LENGTH					
WIDTH					

SIZE	Auth Group	BSA	MODEL	DRAWING		SHEET 1 OF 1
<b>A2</b>			VERSION	STATUS	REVISION	