

- 1.0 GENERAL NOTES
  - 1.1 ALL METRIC DIMENSIONS ARE IN BRACKETS [X.X]
  - 1.2 FOR PATENT INFO: <https://www.cs-pat.com>

- 2.0 DESIGN NOTES
- 3.0 MANUFACTURING/SPECIAL REQUIREMENTS

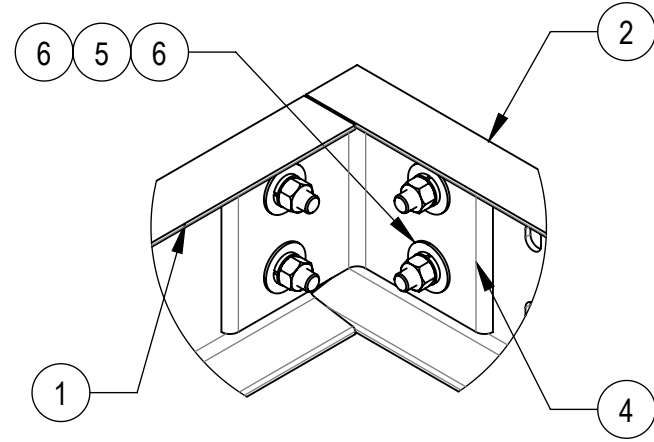
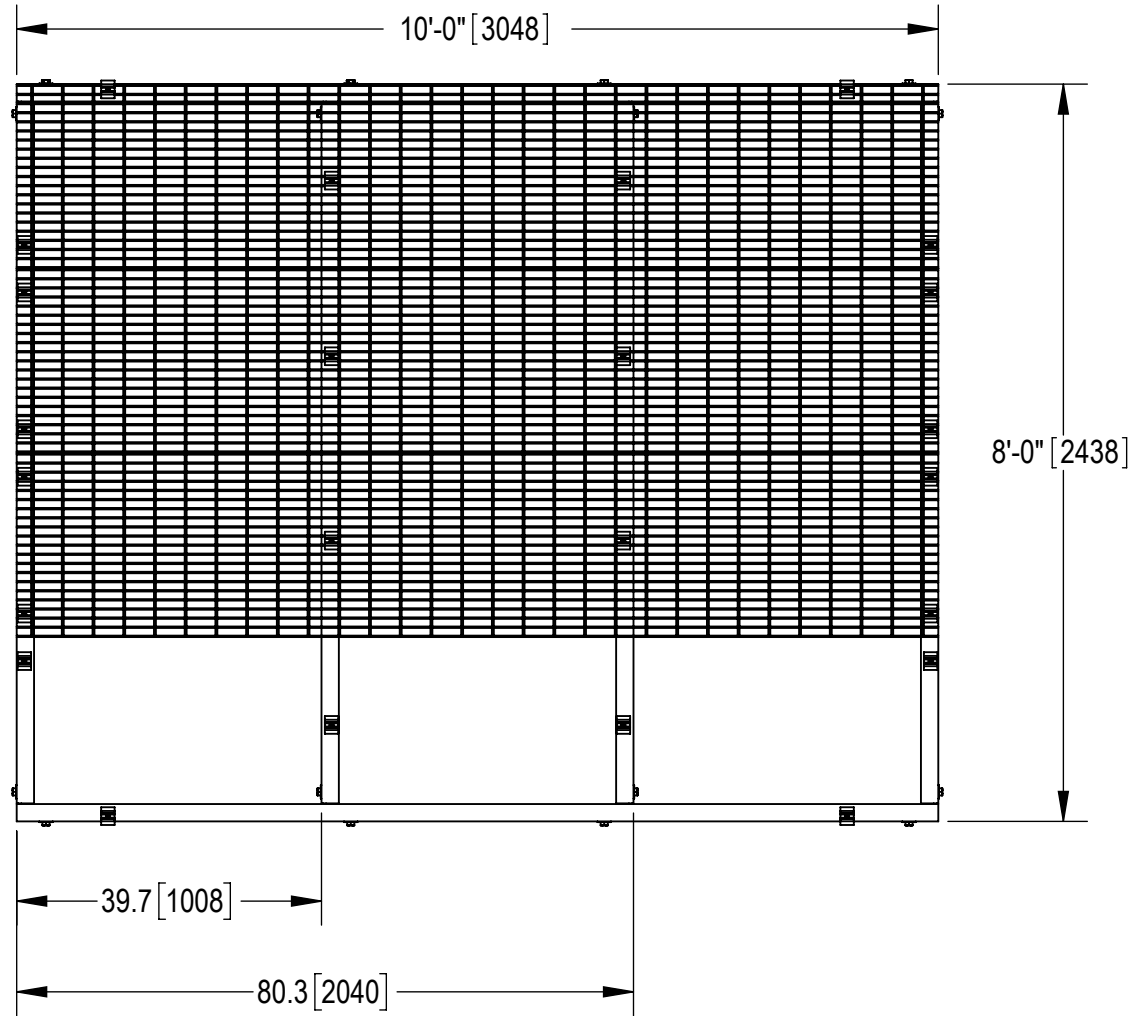
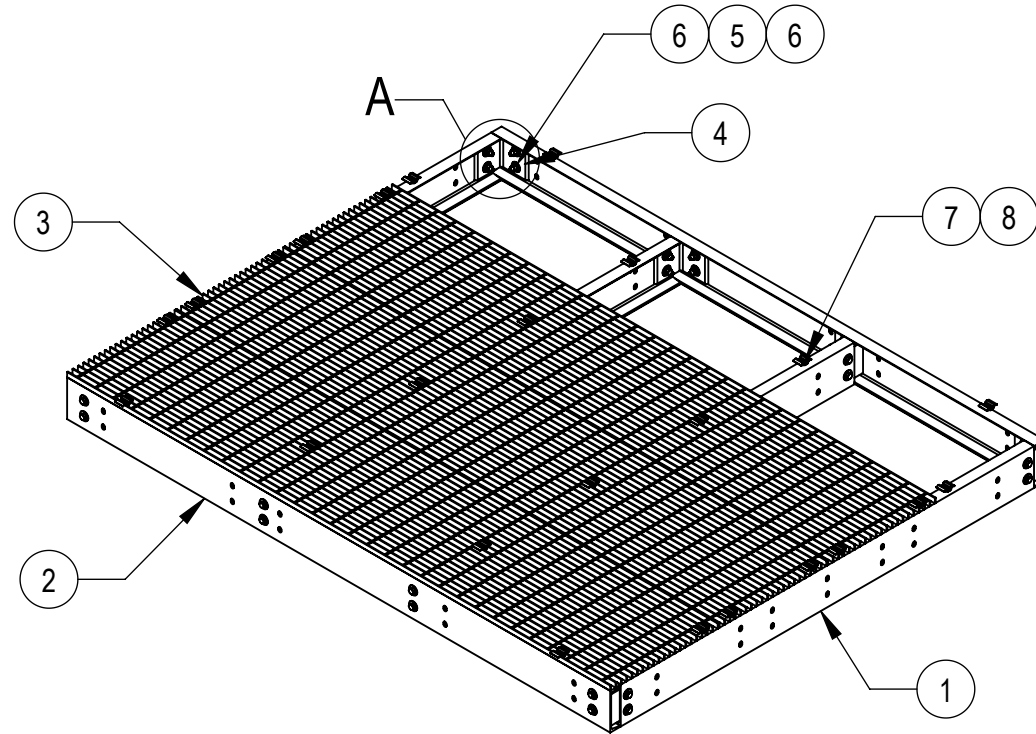
- 3.1 TIGHTEN ALL BOLTS SECURING FLAT PLATES BY THE TURN-OF-NUT METHOD. TIGHTEN ALL U-BOLTS USING TURN-OF-NUT METHOD WITH ATTENTION TO LEAVE EQUAL DISTANCE AND EQUAL FORCE ON EACH LEG OF THE U-BOLT.
- 3.2 ALIGN BAR GRATING TO CROSS OVER CENTER CHANNELS.

- 4.0 TEST

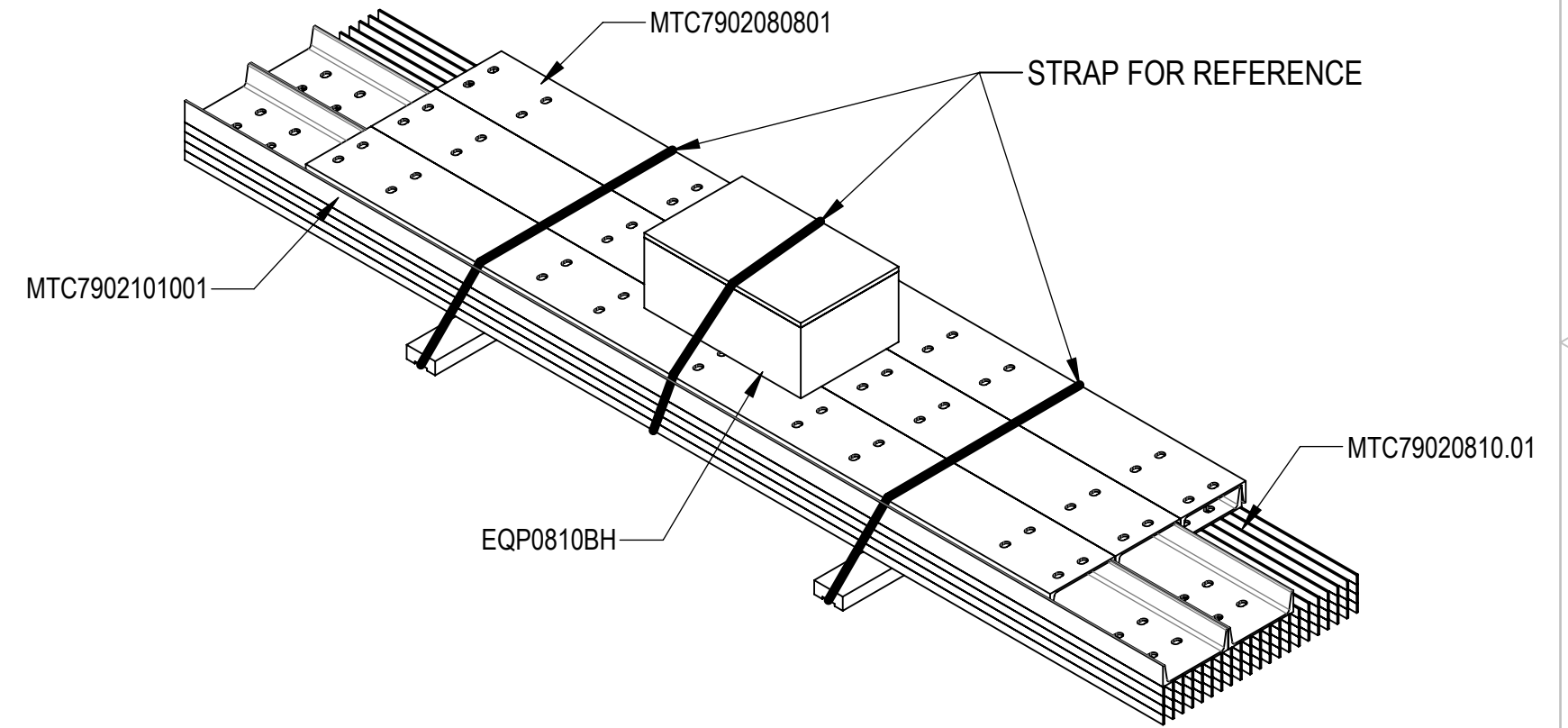
- 5.0 PACKAGING

- 5.1 PACKAGING SHALL MEET COMMSCOPE REQUIREMENTS PER DOCUMENT IS-PL-3005
- 5.2 PRINTED DOCUMENT TO BE PLACED INSIDE POLYBAG AND THEN IN SHIPPING CONTAINER
- 5.3 EXTRA HARDWARE MAY BE SUPPLIED, BAGGED AND SHIPPED
- 5.4 UP TO 5% ADDITIONAL HARDWARE INCLUDED.

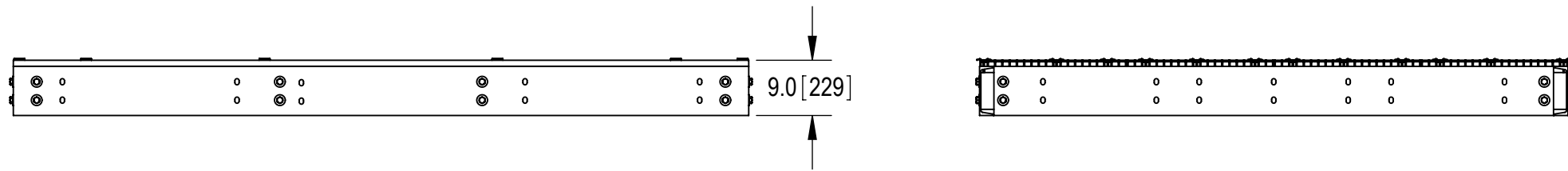
REVISIONS			
REV.	DESCRIPTION	DATE	APPROVED
A	INITIAL RELEASE	MSM 27OCT10	TP
B	UPDATE GCM03 QTY	MSM 04APR12	TP
C	UPDATED DRAWING FORMAT; GCM03 QTY 24 WAS 32	LL1090 06DEC23	BCROSS 40184174CMO
D	MTC390324 AND TS1220 WAS GCM03	LL1090 05MAR24	BCROSS 40190172CMO



DETAIL A  
SCALE 1 : 6



PACKING VIEW



HIDE BAR GRATING FOR CLARITY

COMPONENT PART NUMBERS PROVIDED FOR ASSEMBLY PURPOSES;  
INDIVIDUAL COMPONENTS MAY BE SHIPPED AS PARTS WITHIN AN INCLUDED KIT.

ITEM NO.	PART NUMBER	DESCRIPTION	QTY.	WEIGHT	NOTE NO.
1	MTC7902080801	8' CENTER CHANNEL	4	86.21 LBS	
2	MTC7902101001	SIDE CHANNEL C8 X 11.5#	2	113.50 LBS	
3	MTC7902081001	24" X 120" BAR GRATING	4	141.45 LBS	
4	MTC790203	CHANNEL ADAPTER ANGLE	8	7.07 LBS	
5	GB-05205	5/8" X 2" GALV BOLT KIT	32	0.26 LBS	
6	GWF-05	5/8" GALV FLAT WASHER, 1.7OD	64	0.06 LBS	
7	MTC390324	BAR GRATING CLIP	24	0.17 LBS	
8	TS1220	12-24 X 2" SELF DRILLING SCREW	24	0.03 LBS	

<b>COMMSCOPE, INC. OF NORTH CAROLINA</b>									
TOLERANCES			SAP MATERIAL MASTER						
1 PLACE .X[X] ± 0.12[3.0]		3 PLACE .XXX[X] ± 0.03[0.8]		<b>EQ-P0810-B</b>					
2 PLACE .XX[X] ± 0.06[1.5]		ANGLES ± 2°							
FINISH			MATERIAL						
UNLESS OTHERWISE SPECIFIED DIMENSIONS ARE IN INCHES INTERPRET PER ANSI Y 14.5M-1994			TITLE						
CE	MSM	DATE	<b>8' X 10' PLATFORM BASE</b>						
RW	LL1090	03/11/2024							
AD	YW1045	03/18/2024							
RE	YMENG	04/02/2024							
ECN	40190172CMO								
SCALE		DOCUMENT NO.		<b>EQ-P0810-B</b>					
<b>1:32</b>									
SIZE	Auth Group	INSL	MODEL		DRAWING				
<b>C</b>			VERSION	STATUS	REVISION	VERSION	STATUS	REVISION	SHEET 1 OF 1
			04	RE	D	03	RE	D	

DENSITY	1214.31	lbs/in <sup>3</sup>
MASS	1214.31	lbs
VOLUME	4309.23	in <sup>3</sup>
SURFACE AREA	42647.38	in <sup>2</sup>
HEIGHT	9.0"	
LENGTH	120.0"	
WIDTH	96.0"	