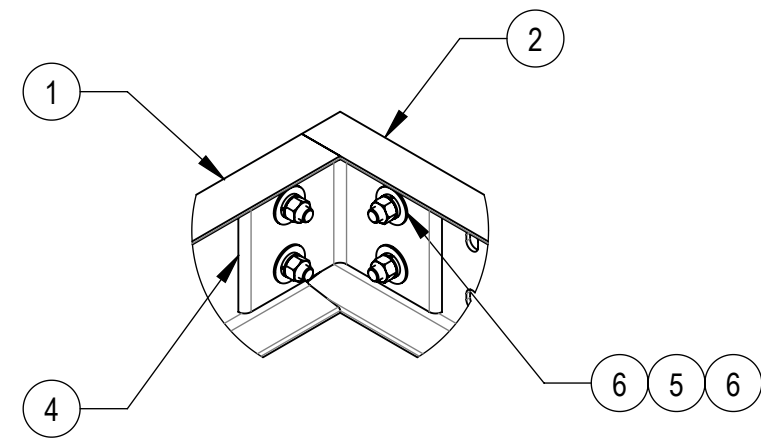
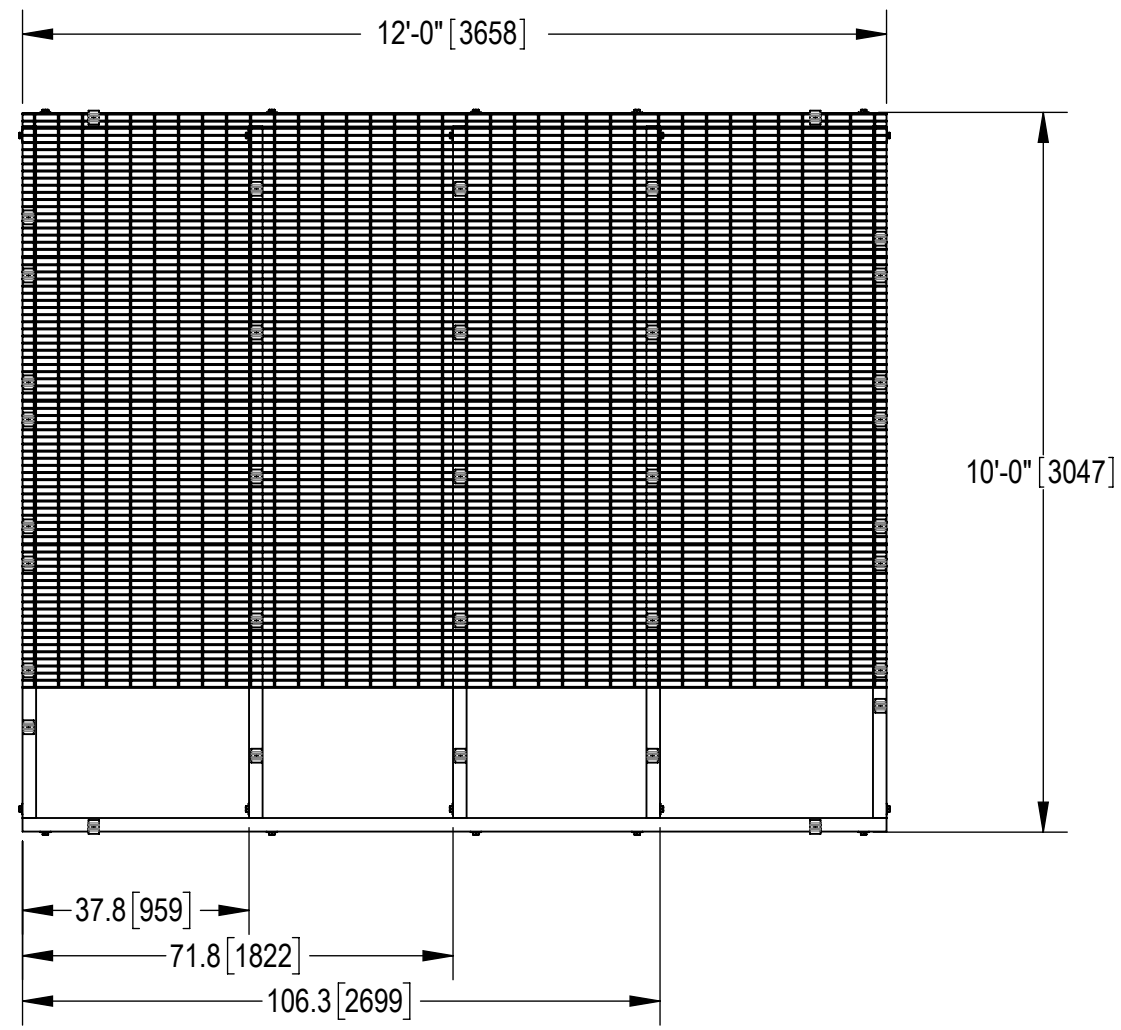
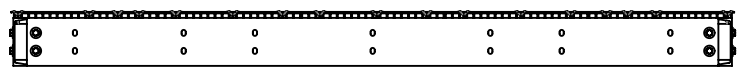
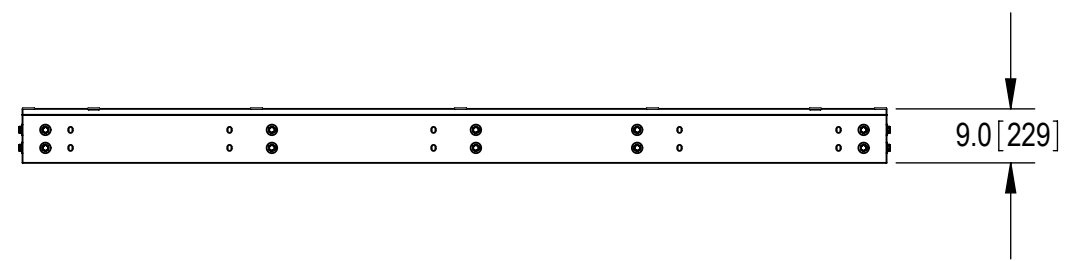
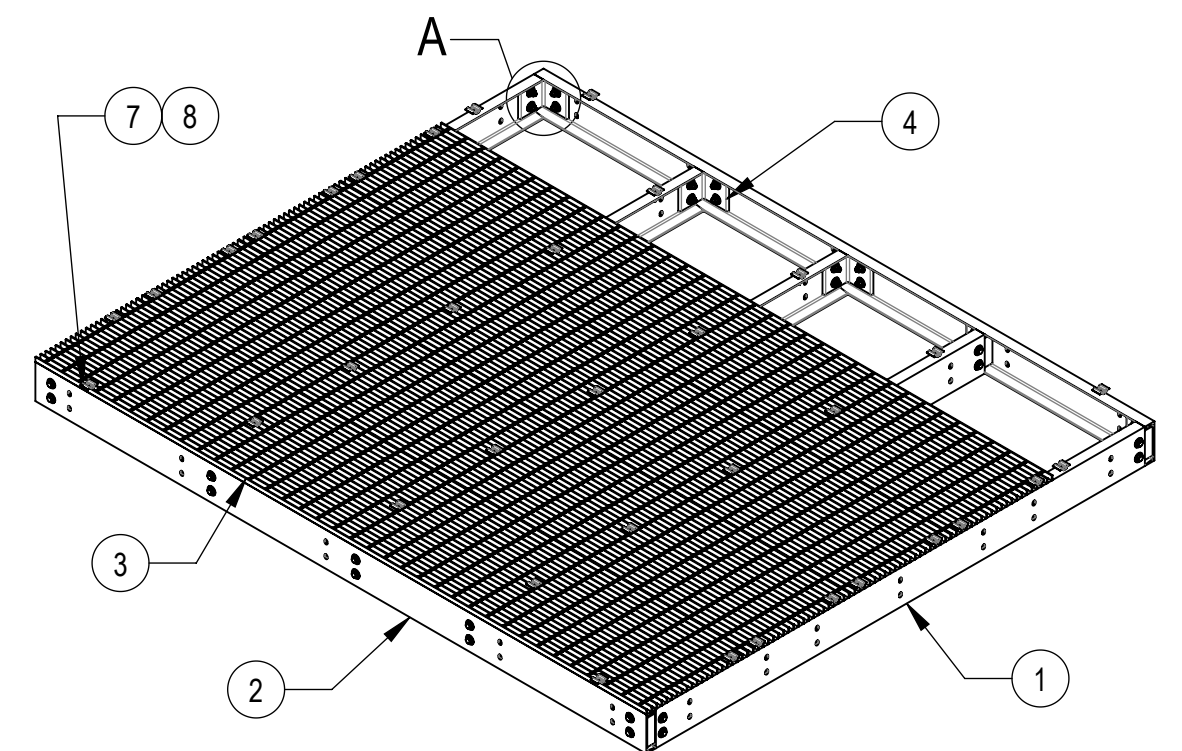


- 1.0 GENERAL NOTES  
 1.1 ALL METRIC DIMENSIONS ARE IN BRACKETS [X.X]  
 1.2 FOR PATENT INFO: <https://www.cs-pat.com>  
 2.0 DESIGN NOTES  
 3.0 MANUFACTURING/SPECIAL REQUIREMENTS  
 3.1 TIGHTEN ALL BOLTS SECURING FLAT PLATES BY THE TURN-OF-NUT METHOD. TIGHTEN ALL U-BOLTS USING TURN-OF-NUT METHOD WITH ATTENTION TO LEAVE EQUAL DISTANCE AND EQUAL FORCE ON EACH LEG OF THE U-BOLT.  
 3.2 BAR GRATING ALIGNED ACROSS CENTER CHANNELS.  
 4.0 TEST  
 5.0 PACKAGING  
 5.1 PACKAGING SHALL MEET COMMSCOPE REQUIREMENTS PER DOCUMENT IS-PL-3005  
 5.2 PRINTED DOCUMENT TO BE PLACED INSIDE POLYBAG AND THEN IN SHIPPING CONTAINER  
 5.3 EXTRA HARDWARE MAY BE SUPPLIED, BAGGED AND SHIPPED  
 5.4 UP TO 5% ADDITIONAL HARDWARE INCLUDED

REVISIONS			
REV.	DESCRIPTION	DATE	APPROVED
A	INITIAL RELEASE	MSM 18FEB11	TP
B	UPDATE WEIGHTS	MSM 05APR12	TP
C	UPDATED DRAWING FORMAT: MTC390324 AND TS1220 WAS GCM03	LL1090 23FEB24	BCROSS 40189629CMO



DETAIL A  
SCALE 1 : 8



HIDE BAR GRATING FOR CLARITY

COMPONENT PART NUMBERS PROVIDED FOR ASSEMBLY PURPOSES;  
INDIVIDUAL COMPONENTS MAY BE SHIPPED AS PARTS WITHIN AN INCLUDED KIT.

ITEM	PART NO.	DESCRIPTION	QTY.	WEIGHT	NOTE NO.
1	MTC7902101002	10' CENTER CHANNEL	5	108.98 LBS	
2	MTC790271201	12' SIDE CHANNEL	2	136.26 LBS	
3	MTC790271203	24" X 144" BAR GRATING	5	172.46 LBS	
4	MTC790203	CHANNEL ADAPTER ANGLE	10	7.07 LBS	
5	GB-05205	5/8" X 2" GALV BOLT KIT	40	0.26 LBS	
6	GWF-05	5/8" GALV FLAT WASHER, 1.7OD	80	0.06 LBS	
7	MTC390324	BAR GRATING CLIP	35	0.17 LBS	
8	TS1220	12-24 X 2" SELF DRILLING SCREW	35	0.03 LBS	

DENSITY	1776.55	lbs/in <sup>3</sup>
MASS	1776.55	lbs
VOLUME	6304.44	in <sup>3</sup>
SURFACE AREA	63313.38	in <sup>2</sup>
HEIGHT	9.0"	
LENGTH	144.0"	
WIDTH	120.0"	

**COMMSCOPE, INC. OF NORTH CAROLINA**

TOLERANCES		SAP MATERIAL MASTER	
1 PLACE .X[X] ± 0.12[3.0]	3 PLACE .XXX[X] ± 0.03[0.8]	<b>EQ-P1012-B</b>	
2 PLACE .XX[X] ± 0.06[1.5]	ANGLES ± 2°		
FINISH		MATERIAL	
<small>UNLESS OTHERWISE SPECIFIED DIMENSIONS ARE IN INCHES INTERPRET PER ANSI Y 14.5M-1994</small>		NAME	DATE
		CE MSM	18FEB11
		RW LL1090	03/01/2024
		AD YMENG	03/01/2024
RE YMENG	03/20/2024	<b>10' X 12' PLATFORM BASE</b>	
ECN 40189629CMO			
SCALE	DOCUMENT NO.	<b>EQ-P1012-B</b>	
<b>1:32</b>			
SIZE	Auth Group	INSL	MODEL
<b>C</b>			
VERSION	STATUS	REVISION	DRAWING
01	RE	C	VERSION STATUS REVISION
			01 RE C
			SHEET
			1 OF 1