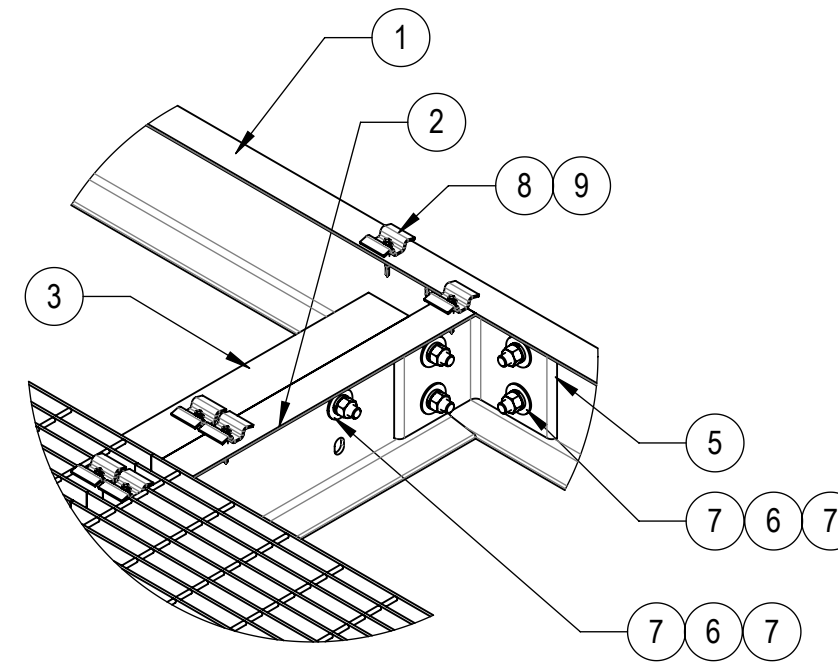
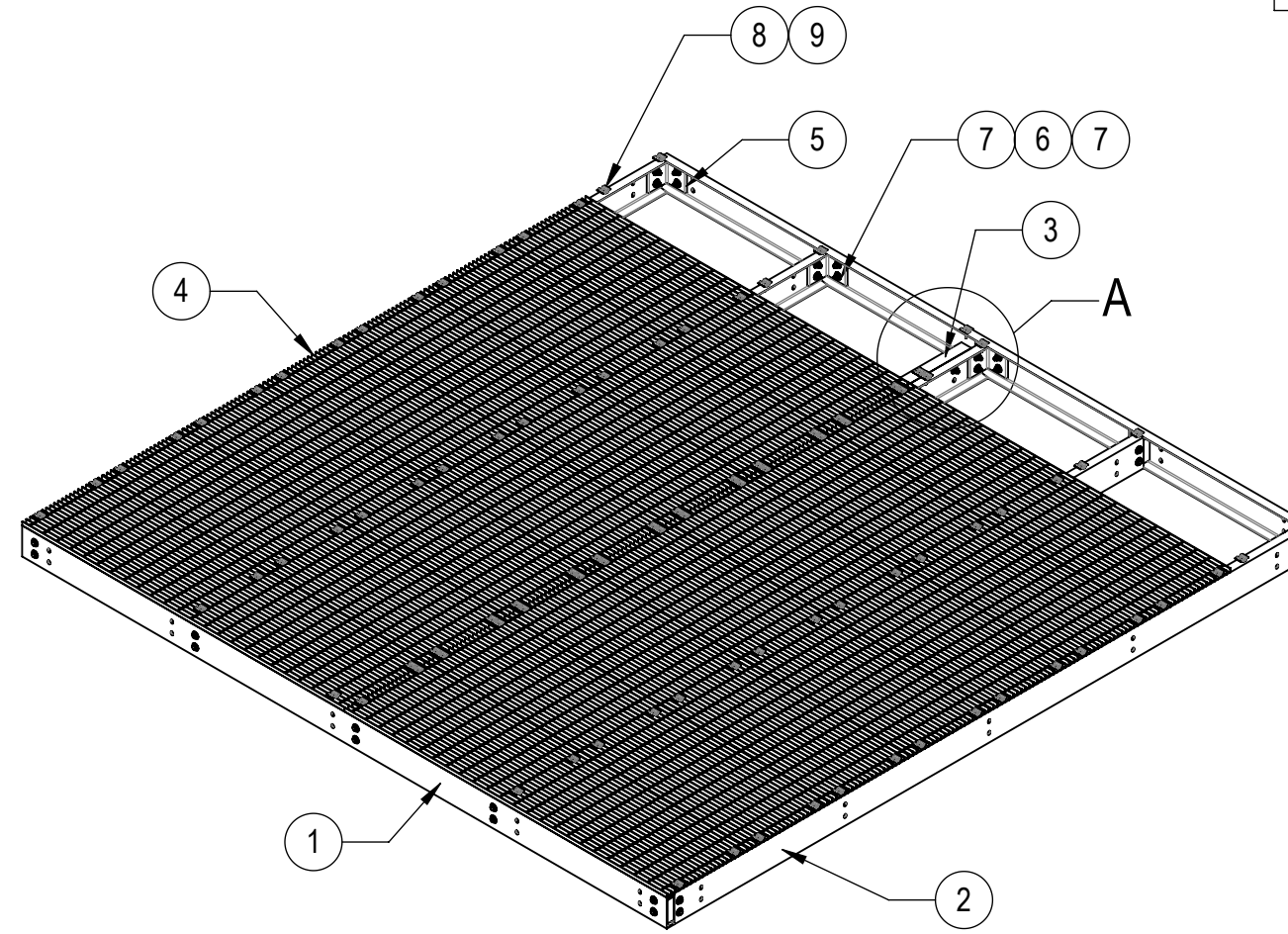
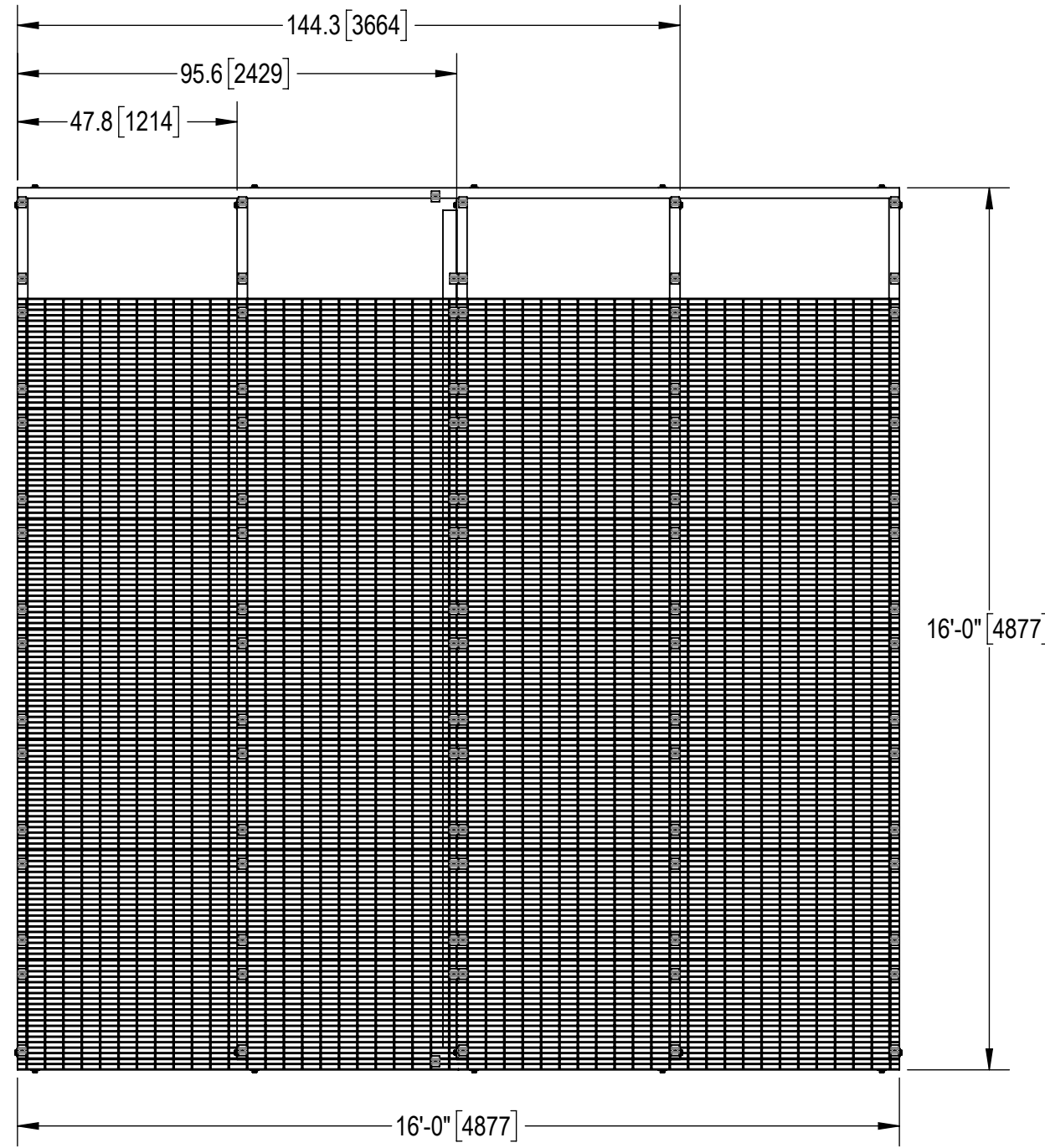
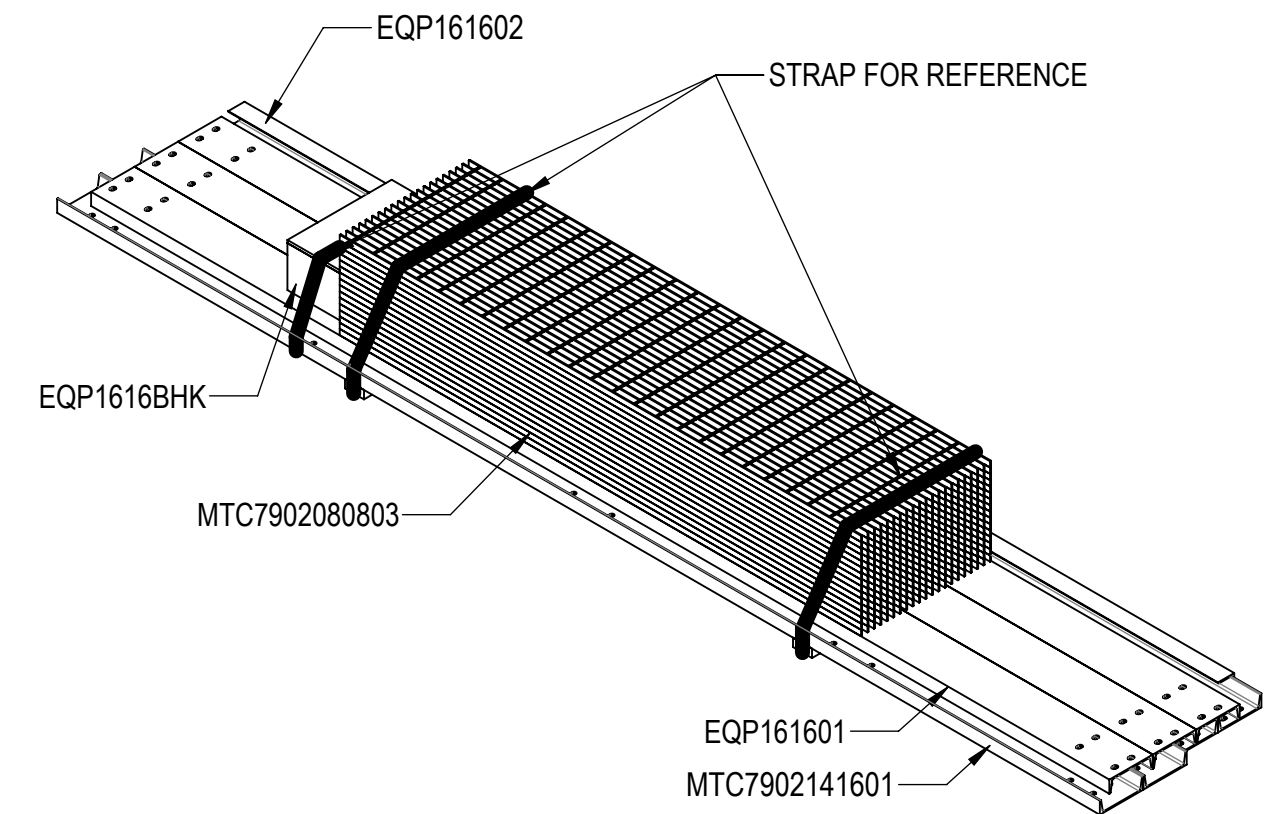


- 1.0 GENERAL NOTES
  - 1.1 ALL METRIC DIMENSIONS ARE IN BRACKETS [X.X]
  - 1.2 FOR PATENT INFO: <https://www.cs-pat.com>
- 2.0 DESIGN NOTES
- 3.0 MANUFACTURING/SPECIAL REQUIREMENTS
  - 3.1 TIGHTEN ALL BOLTS SECURING FLAT PLATES BY THE TURN-OF-NUT METHOD. TIGHTEN ALL U-BOLTS USING TURN-OF-NUT METHOD WITH ATTENTION TO LEAVE EQUAL DISTANCE AND EQUAL FORCE ON EACH LEG OF THE U-BOLT.
  - 3.2 BAR GRATING ALIGNED ACROSS CENTER CHANNELS.
- 4.0 TEST
- 5.0 PACKAGING
  - 5.1 PACKAGING SHALL MEET COMMSCOPE REQUIREMENTS PER DOCUMENT IS-PL-3005
  - 5.2 PRINTED DOCUMENT TO BE PLACED INSIDE POLYBAG AND THEN IN SHIPPING CONTAINER
  - 5.3 EXTRA HARDWARE MAY BE SUPPLIED, BAGGED AND SHIPPED

REVISIONS			
REV.	DESCRIPTION	DATE	APPROVED
A	INITIAL RELEASE	MSM 25AUG10	TP
B	BOLTS GB-05205 WERE GB-05245	YMENG 04DEC23	BCROSS 40183719CMO
C	MTC390324 AND TS1220 WAS GCM03; ADDED NOTE 3.2	RY1002 06MAR24	BCROSS 40190172CMO

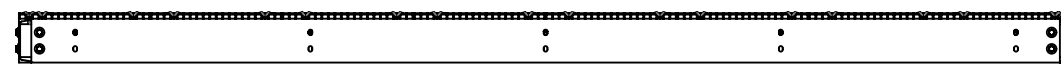
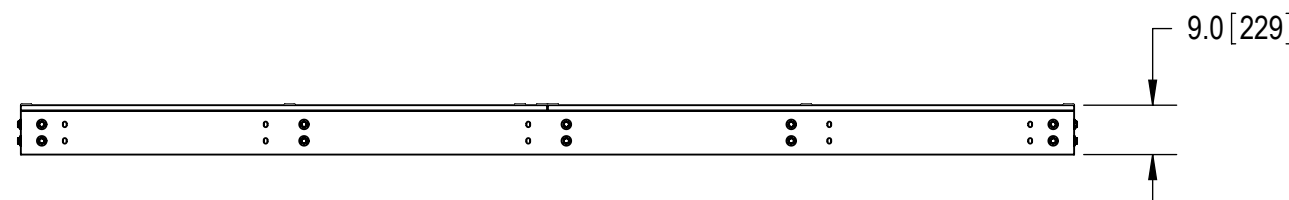


DETAIL A  
SCALE 1 : 10



PACKAGE

HIDE BAR GRATING FOR CLARITY



COMPONENT PART NUMBERS PROVIDED FOR ASSEMBLY PURPOSES;  
INDIVIDUAL COMPONENTS MAY BE SHIPPED AS PARTS WITHIN AN INCLUDED KIT.

ITEM	PART NO.	DESCRIPTION	QTY.	WEIGHT	NOTE NO.
1	MTC7902141601	16' SIDE CHANNEL	2	181.92 LBS	
2	EQP161601	16' PLATFORM CENTER CHANNEL	5	177.86 LBS	
3	EQP161602	16' PLATFORM GRATE SUPPORT ANGLE	1	86.71 LBS	
4	MTC7902080803	24" X 96" BAR GRATING	16	114.17 LBS	
5	MTC790203	CHANNEL ADAPTER ANGLE	10	7.07 LBS	
6	GB-05205	5/8" X 2" GALV BOLT KIT	45	0.26 LBS	
7	GW-05	5/8" GALV FLAT WASHER, 1.7OD	90	0.06 LBS	
8	MTC390324	BAR GRATING CLIP	96	0.17 LBS	
9	TS1220	12-24 X 2" SELF DRILLING SCREW	96	0.03 LBS	

DENSITY	3277.82	lbs/in <sup>3</sup>
MASS	11574.35	lbs
VOLUME	121096.04	in <sup>3</sup>
SURFACE AREA		in <sup>2</sup>
HEIGHT	9.0"	
LENGTH	192.0"	
WIDTH	192.0"	

© 2024 CommScope, Inc. Confidential

<b>COMMSCOPE, INC. OF NORTH CAROLINA</b>			
TOLERANCES		SAP MATERIAL MASTER	
1 PLACE .X[X] ± .12[3.0]	3 PLACE .XXX[X] ± .030[0.8]	<b>EQ-P1616-B</b>	
2 PLACE .XX[X] ± .06[1.5]	ANGLES ± 2°		
FINISH		MATERIAL	
UNLESS OTHERWISE SPECIFIED DIMENSIONS ARE IN INCHES INTERPRET PER ANSI Y 14.5M-1994	NAME	DATE	TITLE
	CE MSM	25AUG10	<b>EQUIPMENT PLATFORM 16' X 16' BASE</b>
	RW LL1090	03/15/2024	
	AD YW1045	03/18/2024	
	RE YMENG	04/02/2024	
ECN 40190172CMO			
SCALE	DOCUMENT NO.		
<b>1:48</b>	<b>EQ-P1616-B</b>		
SIZE	Auth Group	INSL	MODEL
<b>C</b>			
VERSION	STATUS	REVISION	DRAWING
02	RE	C	VERSION STATUS REVISION
			02 RE C
			SHEET
			1 OF 1