

1.0 GENERAL NOTES

- 1.1 ALL METRIC DIMENSIONS ARE IN BRACKETS [X.X]
- 1.2 FOR PATENT INFO: <https://www.cs-pat.com>

2.0 DESIGN NOTES

- 2.1 ANY HAZARDS OR OBSTRUCTIONS TO THE CLIMBING FACILITY AND SAFETY CLIMB MUST BE IDENTIFIED PRIOR TO INSTALLING THE APPURTENANCE. ADDITIONAL PRODUCTS MAY BE REQUIRED TO MAINTAIN THE INTEGRITY OF THE SAFETY CLIMB. DURING INSTALLATION, TEMPORARY AND/OR PERMANENT PRECAUTIONARY MEASURES SHOULD BE TAKEN TO PRESERVE THE CLIMBING FACILITY AND/OR SAFETY CLIMB.
- 2.2 FITS MONOPOLES 30"-60" O.D.

3.0 MANUFACTURING/SPECIAL REQUIREMENTS

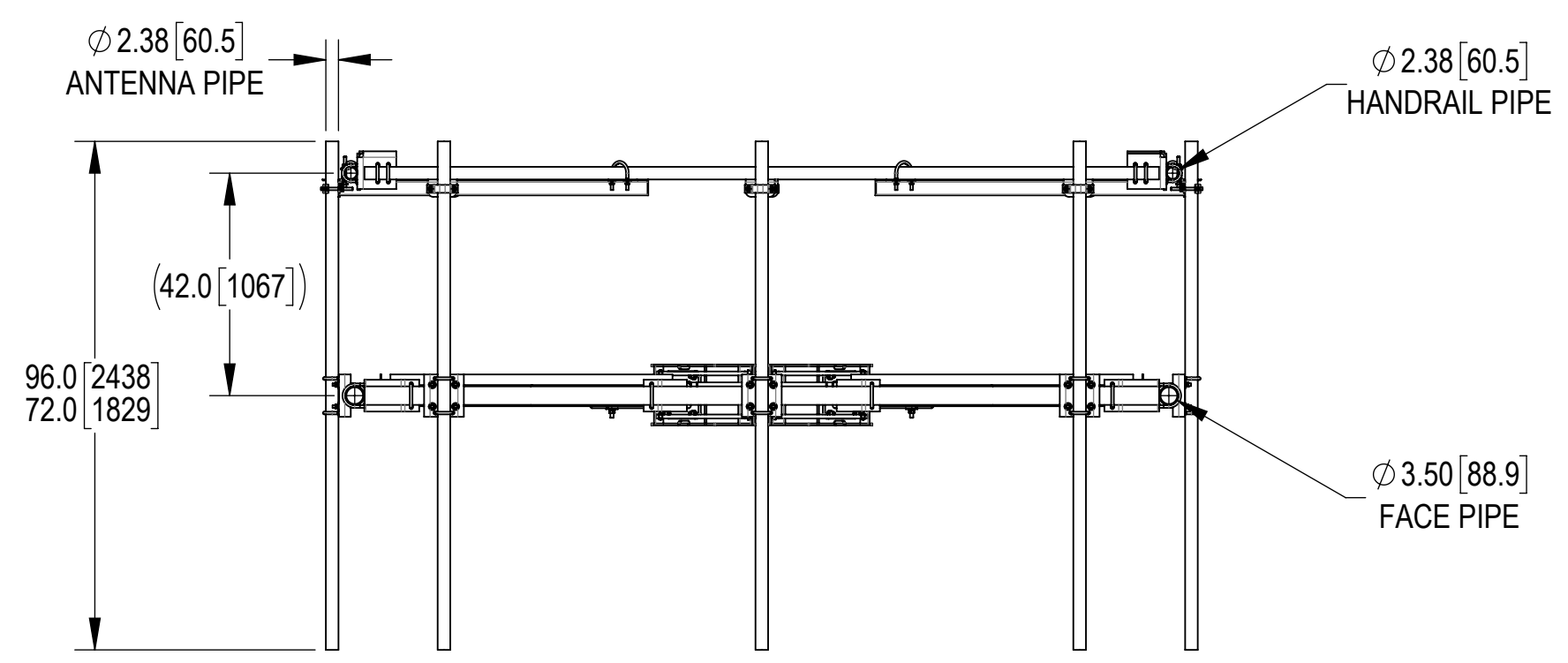
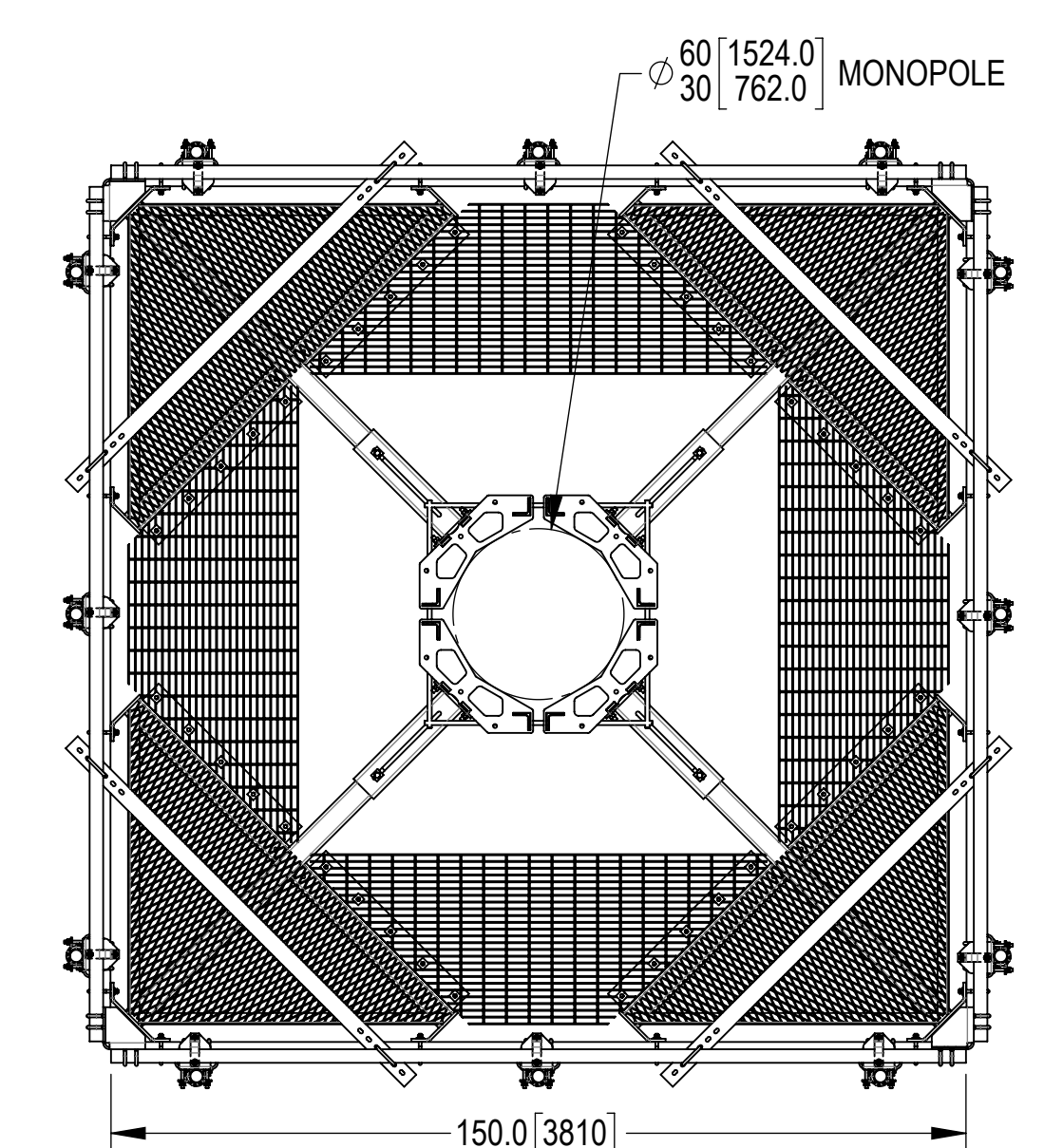
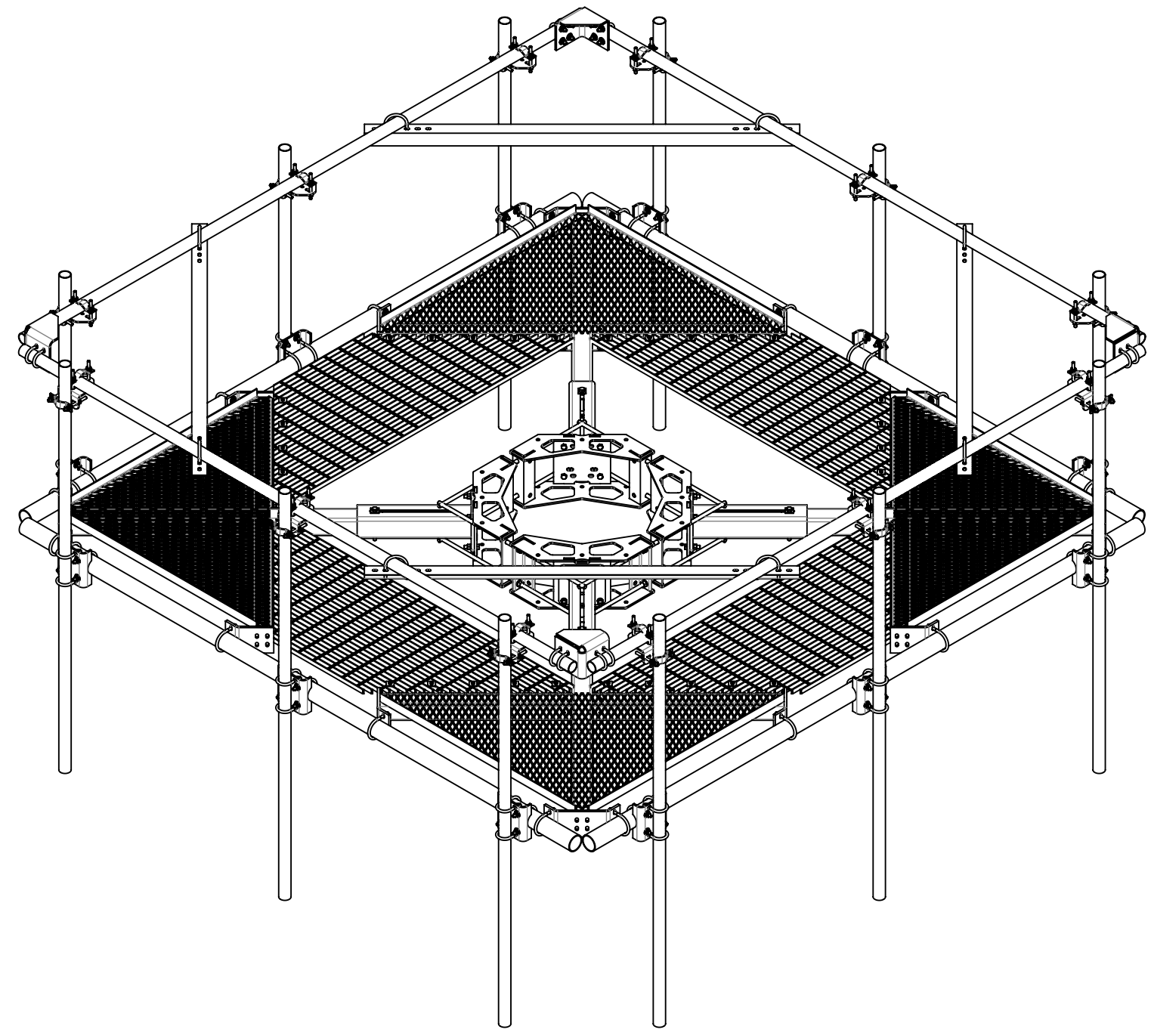
- 3.1 TIGHTEN ALL BOLTS SECURING FLAT PLATES BY THE TURN-OF-NUT METHOD. TIGHTEN ALL U-BOLTS USING TURN-OF-NUT METHOD WITH ATTENTION TO LEAVE EQUAL DISTANCE AND EQUAL FORCE ON EACH LEG OF THE U-BOLT.

4.0 TEST

5.0 PACKAGING

- 5.1 PACKAGING SHALL MEET COMMSCOPE REQUIREMENTS PER DOCUMENT IS-PL-3005
- 5.2 PRINTED DOCUMENT TO BE PLACED INSIDE POLYBAG AND THEN IN SHIPPING CONTAINER
- 5.3 EXTRA HARDWARE MAY BE SUPPLIED, BAGGED AND SHIPPED

REVISIONS			
REV.	DESCRIPTION	DATE	APPROVED
A	INITIAL RELEASE	MSM 10/17/14	8000005495
B	UPDATED DRAWING TO NEW FORMAT; ADDED MC-PK12L4-B TO SERIES	RY1002 23FEB24	BCROSS 40189627CMO



MONOPOLE ADJUSTABLE PLATFORM
MC-PK12L4-12-96 SHOWN FOR REFERENCE
(SEE TABLE 1 FOR ALL CONFIGURATIONS)

COMMSCOPE, INC. OF NORTH CAROLINA

TOLERANCES		SAP MATERIAL MASTER	
1 PLACE .X[X] ± 0.12[3.0]	3 PLACE .XXX[X] ± 0.03[0.8]	SEE TABLE 1	
2 PLACE .XX[X] ± 0.06[1.5]	ANGLES ± 2°		

FINISH	MATERIAL
--------	----------

NAME	DATE	TITLE
CE MSM	10/17/14	MC-PK, 4 SECTOR, 12' FACE, SERIES
RW RY1002	03/13/2024	
AD YMENG	03/13/2024	
RE YMENG	03/13/2024	
ECN 40189627CMO		

DENSITY	lbs/in ³
MASS	lbs
VOLUME	in ³
SURFACE AREA	in ²
HEIGHT	
LENGTH	165"
WIDTH	165"

SCALE	DOCUMENT NO.	MC-PK12L4 SERIES							
1:28									
SIZE	Auth Group	INSL	MODEL		DRAWING			SHEET	
C			VERSION	STATUS	REVISION	VERSION	STATUS	REVISION	1 OF 5
			01	RE	A	00	RE	B	

4

3

2

1

PART NUMBERS, WEIGHTS, & EPA

TABLE 1: CONFIGURATIONS

PART NUMBER	DESCRIPTION	WEIGHT (LBS)	(EPA)A (ft ²)*		(EPA)A 1/2" ICE THICKNESS (FT ²)*		ANTENNA PIPES	INCLUDED PARTS						
			MIN	MAX	MIN	MAX		MCPK12L4HB	MCPKL4SB	MCPK12L472SB	MCPK12L4SB	MC-RM3060-4	MCPK4HK	MT216SB4
MC-PK12L4-12-72	MC-PK, 4 SECTOR, 12' FACE, (12)72" PIPE	2867.41	36.64	37.78	46.05	47.46	12	1	1	1	-	-	-	-
MC-PK12L4-12-96	4 SECTOR CO-LOCATION PLATFORM, 12' FACE	2937.29					12	1	1	-	1	-	-	-
MC-PK12L4-B	MP,12',4S,BASE-KIT,30"-60"-POLE	2125.51	24.36	25.51	30.33	31.75	-	-	1	-	-	1	1	1

* (EPA)A DOES NOT INCLUDE ANTENNA PIPES AND MOUNTING HARDWARE. IF DESIRED, ADD ANTENNA PIPE PER TABLE 2

TABLE 2: EPA OF EACH ANTENNA PIPE

ANTENNA PIPE	(EPA)A (FT ²)	(EPA)A W/ 1/2" ICE THICKNESS (FT ²)
2-3/8" X 72"	1.14	1.62
2-3/8" X 96"	1.52	2.16


NOTE:

1. ANTENNA PIPES ARE CONSIDERED SEPARATELY.
2. KA FACTOR OF 4-SECTOR EPA INCLUDED.
3. COMBINE THE ASSOCIATED EPA VALUES IN THE TABLES ABOVE TO DETERMINE THE EPA OF A MOUNT MODEL WITH A LISTED MOUNT PIPE CONFIGURATION. FOR EXAMPLE, THE MINIMUM OF MC-PK12L4-12-96 HAS A EPA (A) OF 36.64 FT² WITH NO ICE PLUS 12 ANTENNA PIPES WITH A EPA (A) OF 12X1.52=18.24 FT² WITH NO ICE. SO, THE TOTAL EPA OF 54.88 FT² FOR THE MINIMUM OF MC-PK12L4-12-96.

COMMSCOPE, INC. OF NORTH CAROLINA

TITLE
MC-PK, 4 SECTOR, 12' FACE, SERIES

SIZE C	SCALE 1:30	DOCUMENT NO. MC-PK12L4 SERIES
------------------	----------------------	---

	DRAWING			SHEET 2 OF 5
	VERSION 00	STATUS RE	REVISION B	

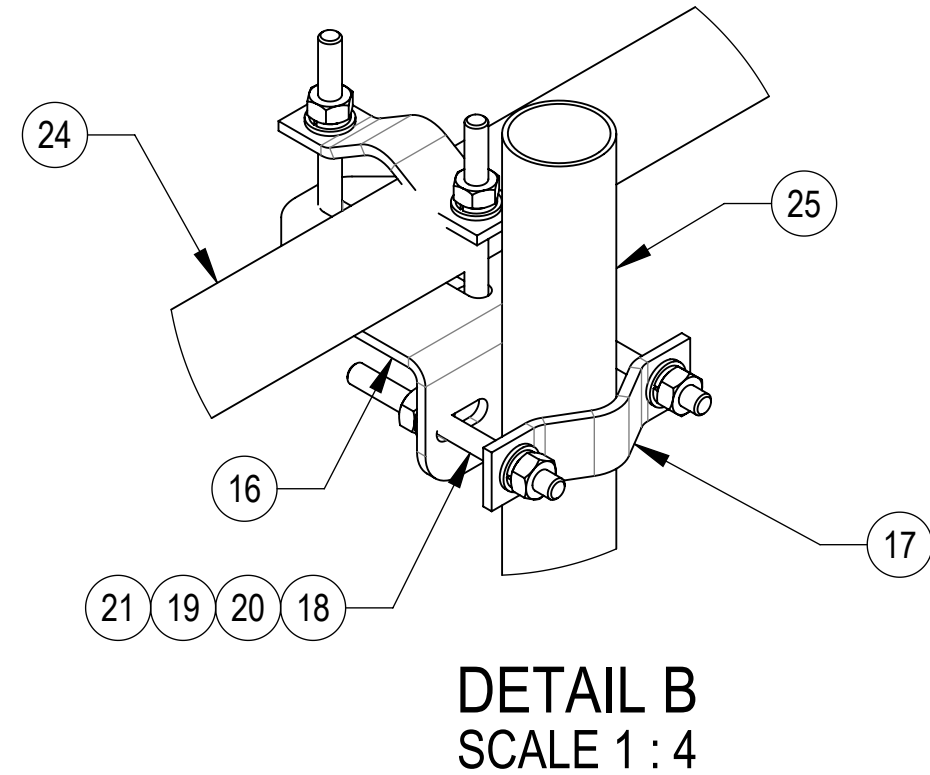
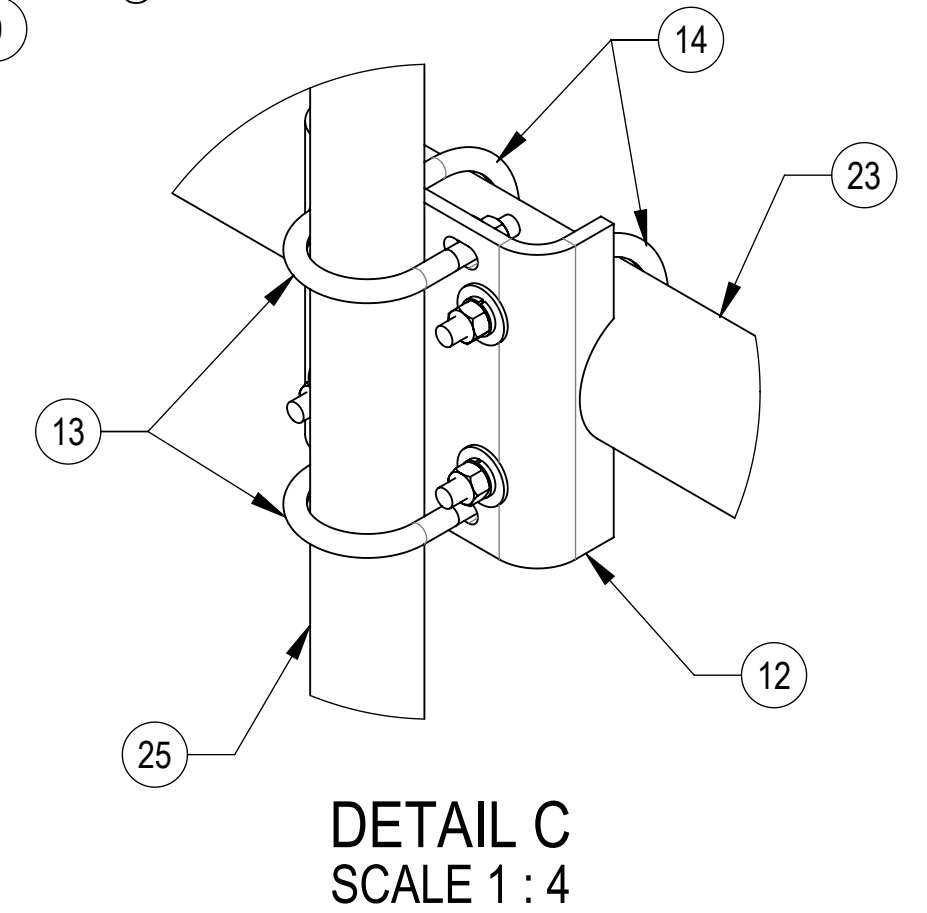
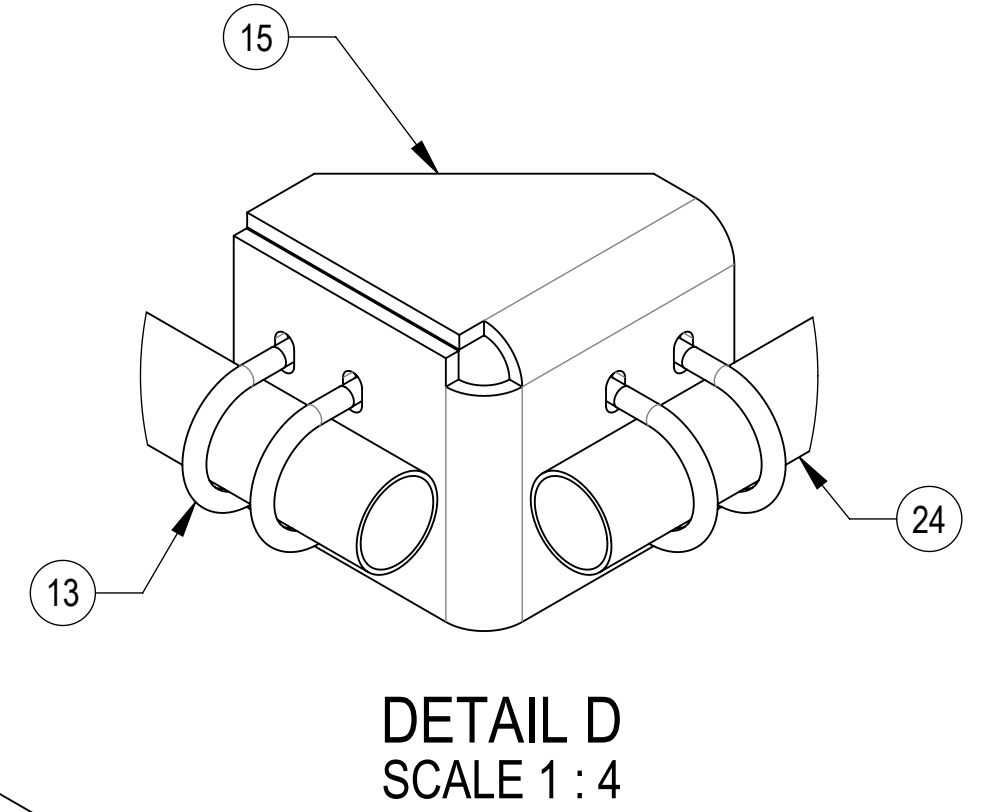
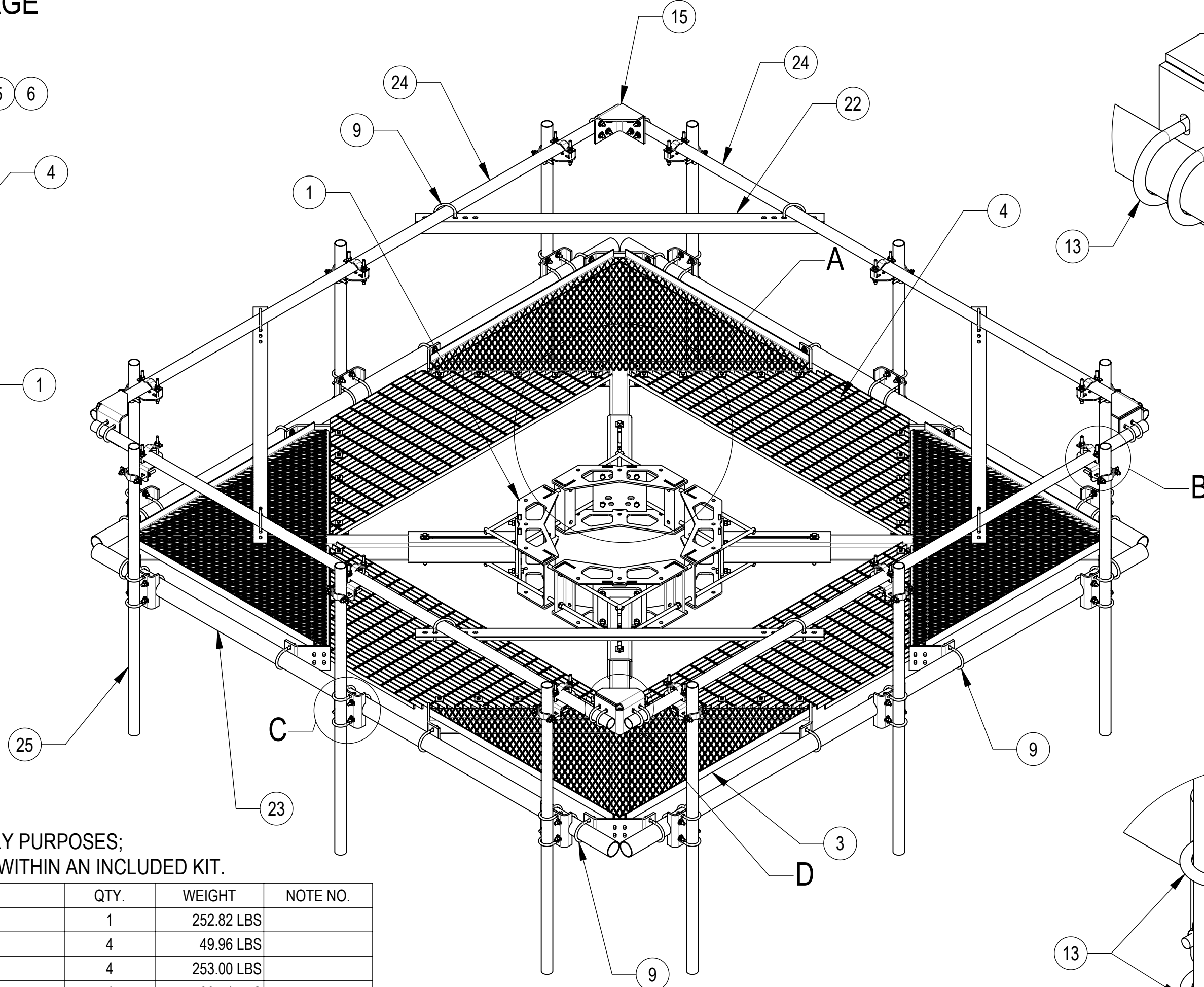
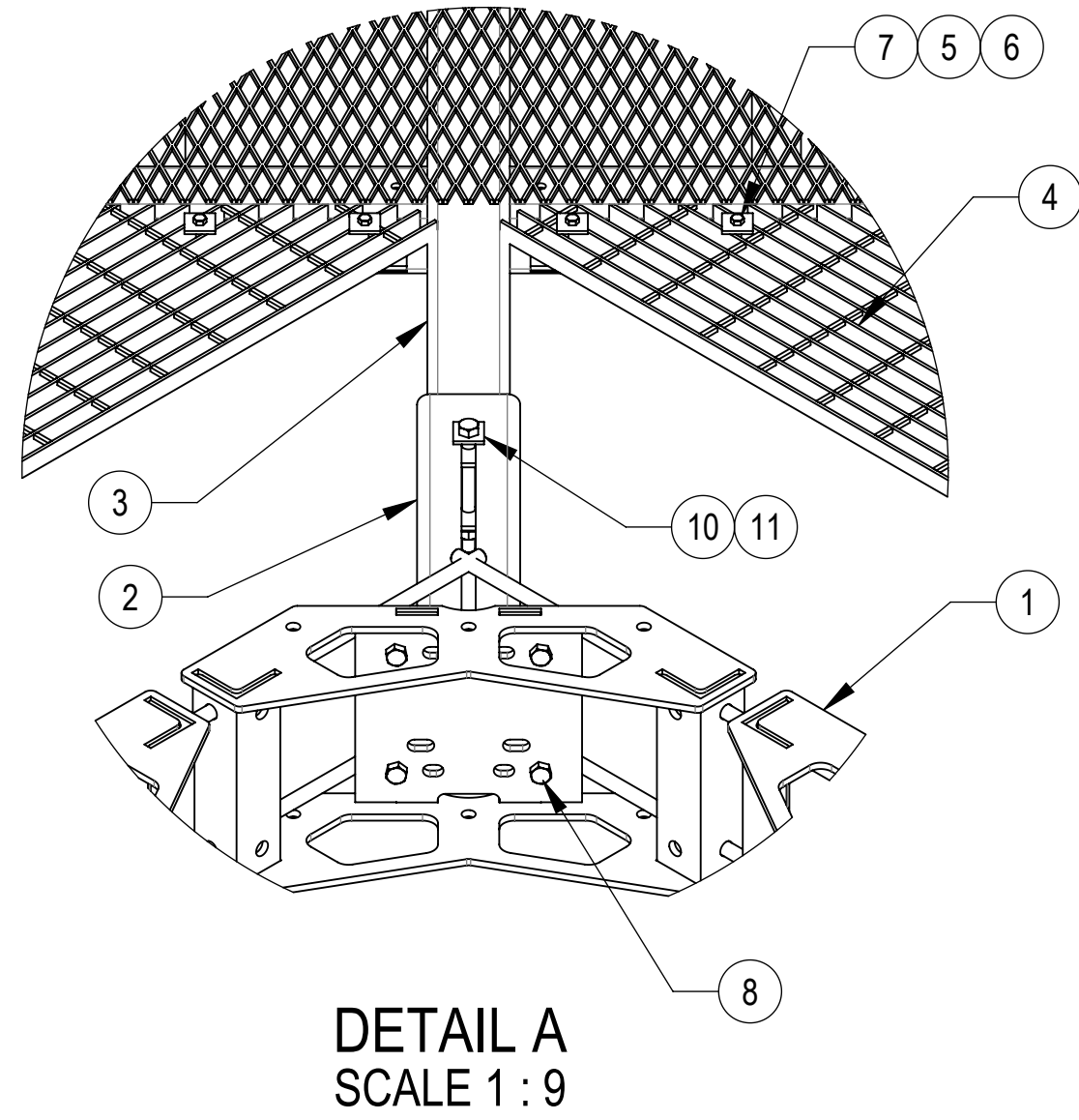
4

3

2

1

COMPNENTS FOR INSTALLATION
MC-PK12L4-12-72 SHOWN ON THIS PAGE



COMPONENT PART NUMBERS PROVIDED FOR ASSEMBLY PURPOSES;
INDIVIDUAL COMPONENTS MAY BE SHIPPED AS PARTS WITHIN AN INCLUDED KIT.

ITEM	PART NO.	DESCRIPTION	QTY.	WEIGHT	NOTE NO.
1	MC-RM3060-4	FOUR SECTOR RING MOUNT, 30-60 OD	1	252.82 LBS	
2	MTC820122	SLIDER TUBE FOR 30IN - 60IN	4	49.96 LBS	
3	MTC820121	PLATFORM WELDMENT	4	253.00 LBS	
4	MTC820131	PLATFORM GRATE	4	80.74 LBS	
5	MT-387	SQUARE WASHER 1-1/2"X1-1/2" W/ 7/16 HOLE	40	0.11 LBS	
6	GWF-03	3/8" GALV FLAT WASHER	40	0.01 LBS	
7	GB-03225	3/8" X 2-1/4" GALV BOLT KIT	40	0.09 LBS	
8	GB-0524A	5/8" X 2-1/2" GALV BOLT KIT (A325)	16	0.30 LBS	
9	GUB-4355	1/2" X 3-5/8" X 5" GALV U-BOLT	24	0.71 LBS	
10	MT389	WASHER, 1-1/2" X 1 5/8", 11/16" HOLE,SQ	8	0.11 LBS	
11	GB-0570A	5/8" X 7" GALV BOLT KIT A325	4	0.69 LBS	
12	MT21701	PIPE MOUNT PLATE	12	7.93 LBS	
13	GUB-4240	1/2" X 2-1/2" X 4" GALV U-BOLT	40	0.56 LBS	
14	GUB-4356	1/2" X 3-5/8" X 6" GALV U-BOLT	24	0.81 LBS	
15	MTC343201	CORNER BRACKET	4	13.18 LBS	
16	XAU01	ANGLE, CROSSOVER, 1.9-3.5" X 1.9-3.5" OD	12	2.98 LBS	
17	ACP10	1.5" - 3.5" O.D. CLAMP HALF	24	0.61 LBS	
18	MT-379-6	1/2" X 6" GALV THREADED ROD	48	0.33 LBS	
19	GWL-04	1/2" GALV LOCK WASHER	96	0.01 LBS	
20	GWF04A	1/2" GALV FLAT WASHER (A325)	96	0.02 LBS	
21	GN-04A	1/2" GALV HEX NUT (A194 2H)	96	0.07 LBS	
22	MTC343203	HANDRAIL SUPPORT ANGLE	4	25.62 LBS	
23	MT21601	PIPE, 3-1/2"OD X 150"	4	75.85 LBS	
24	MT-651-150	2.375" OD X 150" PIPE	4	36.34 LBS	
25	MT-651	2.375" OD X 72" PIPE	12	17.44 LBS	

COMMSCOPE, INC. OF NORTH CAROLINA				
TITLE MC-PK, 4 SECTOR ,12' FACE, SERIES				
SIZE C	SCALE 1:20	DOCUMENT NO. MC-PK12L4 SERIES		
DRAWING		VERSION	STATUS	REVISION
		00	RE	B
				SHEET 3 OF 5

4

3

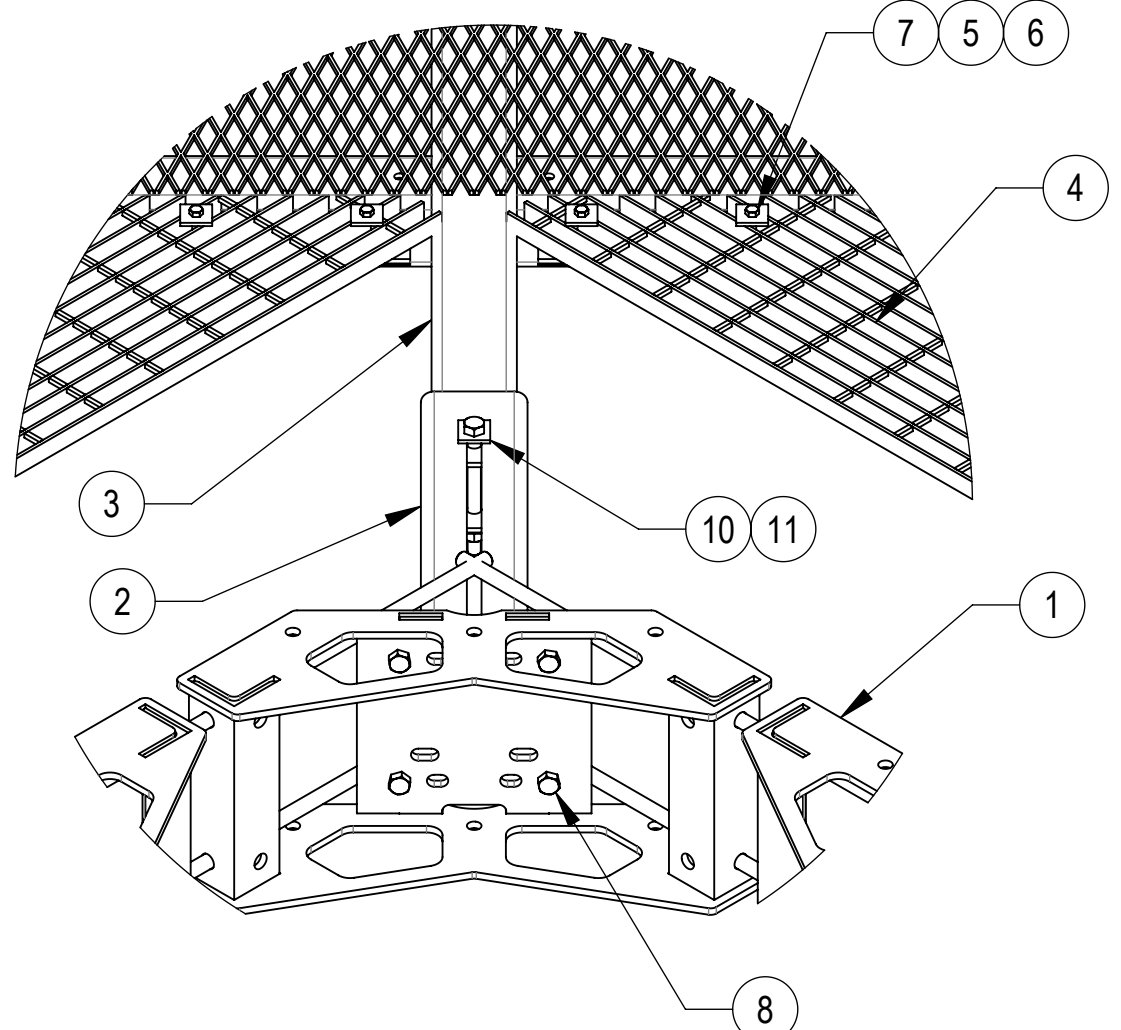
2

1

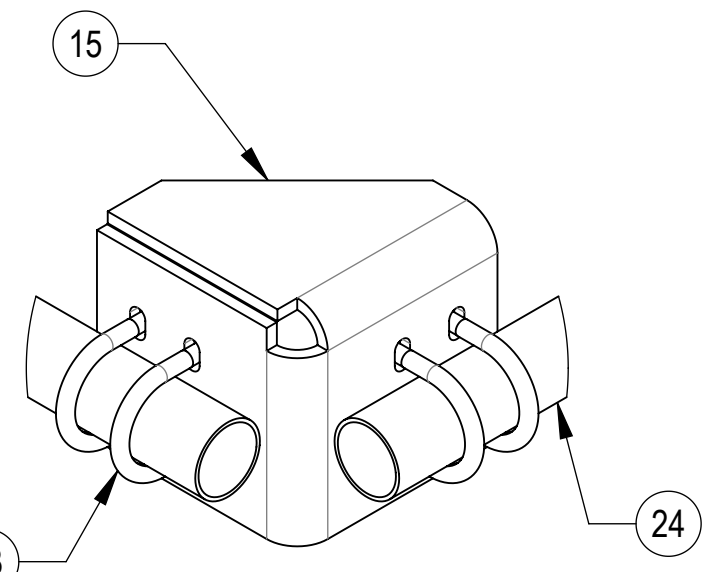
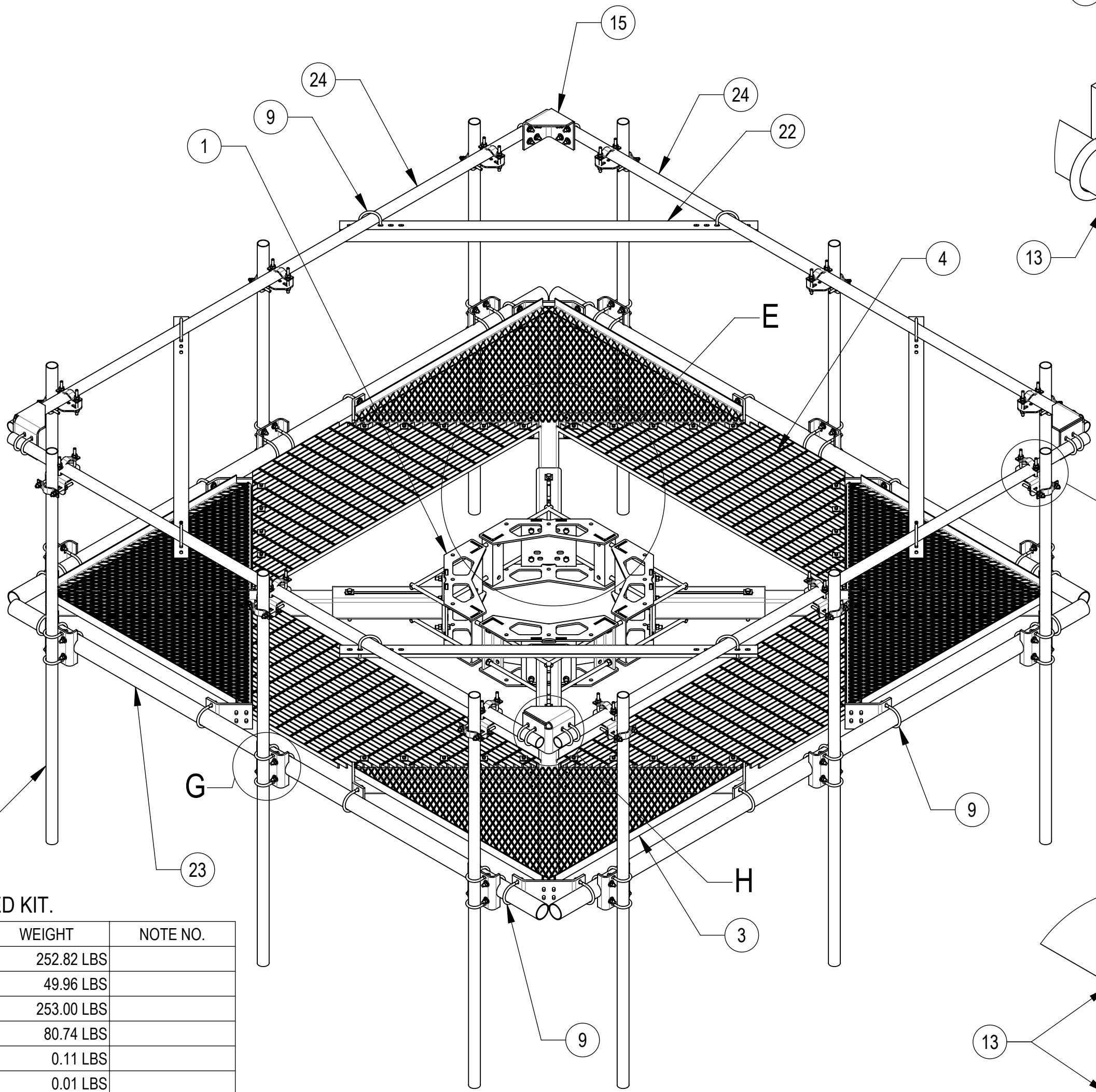
COMPONENTS FOR INSTALLATION MC-PK12L4-12-96 SHOWN ON THIS PAGE

D

D



DETAIL E
SCALE 1 : 9



DETAIL H
SCALE 1 : 5

C

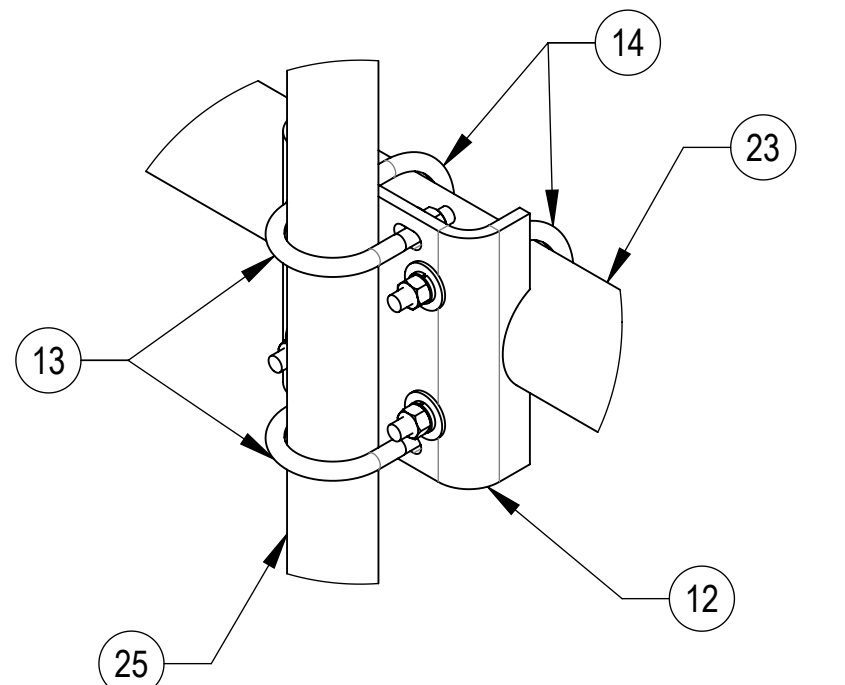
C

COMPONENT PART NUMBERS PROVIDED FOR ASSEMBLY PURPOSES;
INDIVIDUAL COMPONENTS MAY BE SHIPPED AS PARTS WITHIN AN INCLUDED KIT.

ITEM	PART NO.	DESCRIPTION	QTY.	WEIGHT	NOTE NO.
1	MC-RM3060-4	FOUR SECTOR RING MOUNT, 30-60 OD	1	252.82 LBS	
2	MTC820122	SLIDER TUBE FOR 30IN - 60IN	4	49.96 LBS	
3	MTC820121	PLATFORM WELDMENT	4	253.00 LBS	
4	MTC820131	PLATFORM GRATE	4	80.74 LBS	
5	MT-387	SQUARE WASHER 1-1/2"X1-1/2" W/ 7/16 HOLE	40	0.11 LBS	
6	GWF-03	3/8" GALV FLAT WASHER	40	0.01 LBS	
7	GB-03225	3/8" X 2-1/4" GALV BOLT KIT	40	0.09 LBS	
8	GB-0524A	5/8" X 2-1/2" GALV BOLT KIT (A325)	16	0.30 LBS	
9	GUB-4355	1/2" X 3-5/8" X 5" GALV U-BOLT	24	0.71 LBS	
10	MT389	WASHER, 1-1/2" X 1 5/8", 11/16" HOLE,SQ	8	0.11 LBS	
11	GB-0570A	5/8" X 7" GALV BOLT KIT A325	4	0.69 LBS	
12	MT21701	PIPE MOUNT PLATE	12	7.93 LBS	
13	GUB-4240	1/2" X 2-1/2" X 4" GALV U-BOLT	40	0.56 LBS	
14	GUB-4356	1/2" X 3-5/8" X 6" GALV U-BOLT	24	0.81 LBS	
15	MTC343201	CORNER BRACKET	4	13.18 LBS	
16	XAU01	ANGLE, CROSSOVER, 1.9-3.5" X 1.9-3.5" OD	12	2.98 LBS	
17	ACP10	1.5" - 3.5" O.D. CLAMP HALF	24	0.61 LBS	
18	MT-379-6	1/2" X 6" GALV THREADED ROD	48	0.33 LBS	
19	GWL-04	1/2" GALV LOCK WASHER	96	0.01 LBS	
20	GWF04A	1/2" GALV FLAT WASHER (A325)	96	0.02 LBS	
21	GN-04A	1/2" GALV HEX NUT (A194 2H)	96	0.07 LBS	
22	MTC343203	HANDRAIL SUPPORT ANGLE	4	25.62 LBS	
23	MT21601	PIPE, 3-1/2"OD X 150"	4	75.85 LBS	
24	MT-651-150	2.375" OD X 150" PIPE	4	36.34 LBS	
25	MT-651-96	2.375" OD X 96" PIPE	12	23.05 LBS	

B

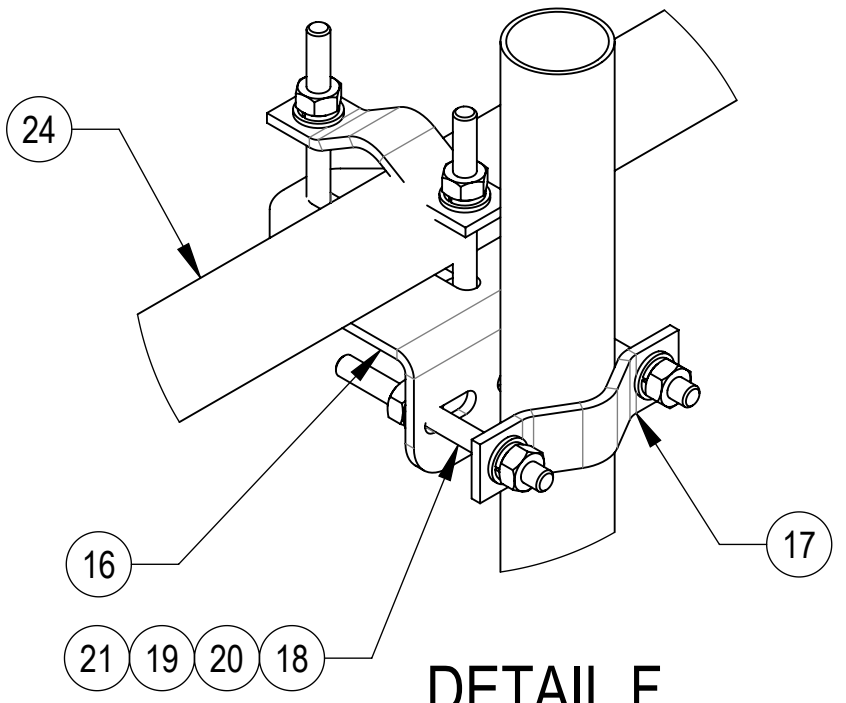
B



DETAIL G
SCALE 1 : 5

A

A



DETAIL F
SCALE 1 : 4

© 2024 CommScope, Inc. Confidential

COMMSCOPE, INC. OF NORTH CAROLINA				
TITLE MC-PK, 4 SECTOR ,12' FACE, SERIES				
SIZE C	SCALE 1:20	DOCUMENT NO. MC-PK12L4 SERIES		
DRAWING		VERSION	STATUS	REVISION
		00	RE	B
				SHEET 4 OF 5

4

3

2

1

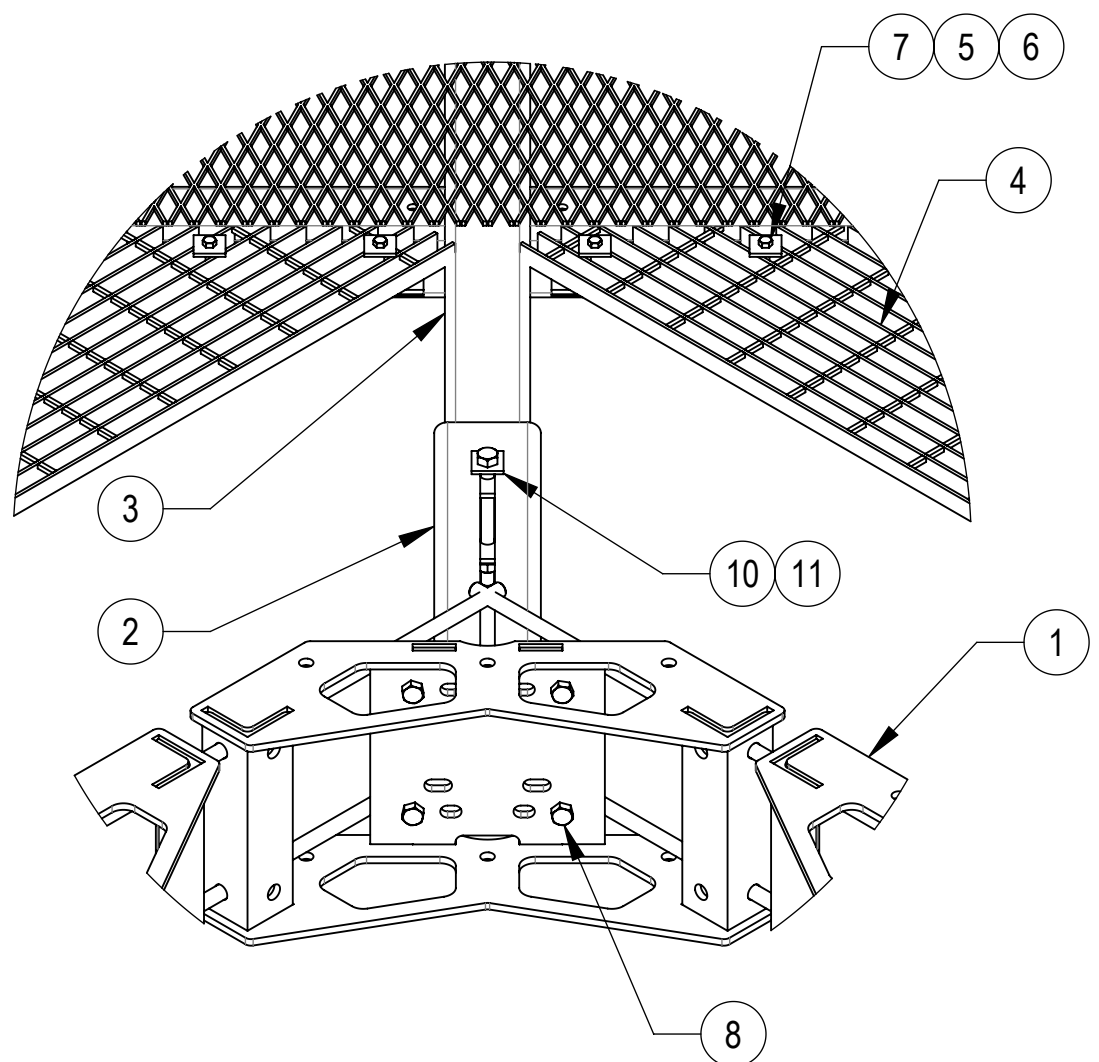
4

3

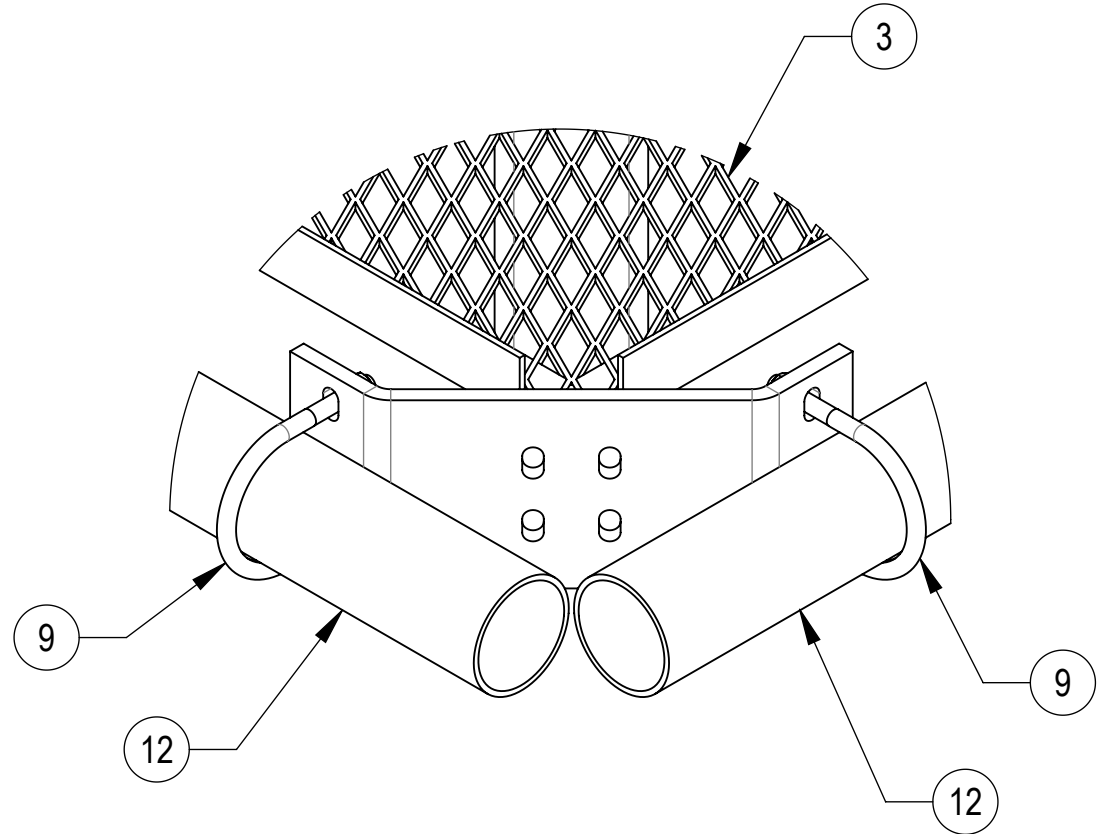
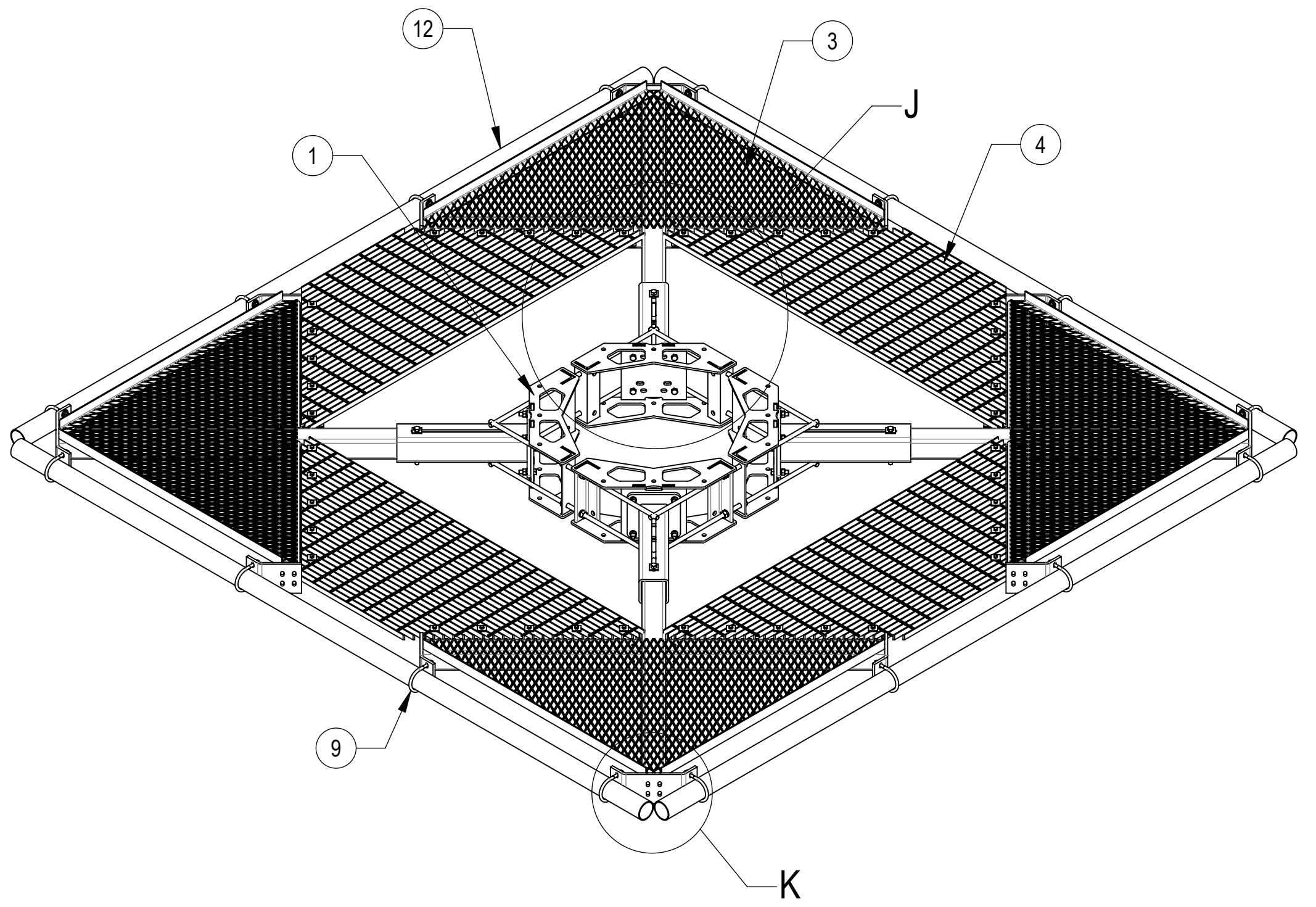
2

1

COMPONENTS FOR INSTALLATION MC-PK12L4-B SHOWN ON THIS PAGE



DETAIL J
SCALE 1 : 9



DETAIL K
SCALE 1 : 5

COMPONENT PART NUMBERS PROVIDED FOR ASSEMBLY PURPOSES;
INDIVIDUAL COMPONENTS MAY BE SHIPPED AS PARTS WITHIN AN INCLUDED KIT.

ITEM	PART NO.	DESCRIPTION	QTY.	WEIGHT	NOTE NO.
1	MC-RM3060-4	FOUR SECTOR RING MOUNT, 30-60 OD	1	252.82 LBS	
2	MTC820122	SLIDER TUBE FOR 30IN - 60IN	4	49.96 LBS	
3	MTC820121	PLATFORM WELDMENT	4	253.00 LBS	
4	MTC820131	PLATFORM GRATE	4	80.74 LBS	
5	MT-387	SQUARE WASHER 1-1/2"X1-1/2" W/ 7/16 HOLE	40	0.11 LBS	
6	GWF-03	3/8" GALV FLAT WASHER	40	0.01 LBS	
7	GB-03225	3/8" X 2-1/4" GALV BOLT KIT	40	0.09 LBS	
8	GB-0524A	5/8" X 2-1/2" GALV BOLT KIT (A325)	16	0.30 LBS	
9	GUB-4355	1/2" X 3-5/8" X 5" GALV U-BOLT	16	0.71 LBS	
10	MT389	WASHER, 1-1/2" X 1 5/8", 11/16" HOLE,SQ	8	0.11 LBS	
11	GB-0570A	5/8" X 7" GALV BOLT KIT A325	4	0.69 LBS	
12	MT21601	PIPE, 3-1/2"OD X 150"	4	75.85 LBS	

COMMSCOPE, INC. OF NORTH CAROLINA				
TITLE MC-PK, 4 SECTOR ,12' FACE, SERIES				
SIZE C	SCALE 1:20	DOCUMENT NO. MC-PK12L4 SERIES		
DRAWING		VERSION	STATUS	REVISION
		00	RE	B
				SHEET 5 OF 5