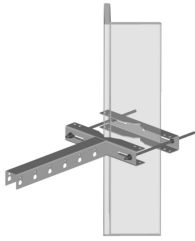


B2252PG



Star Support Tee Bracket for 1-1/2 in to 5-1/2 in OD round members and up to 5 in 90 degree and up to 7 in 60 degree angle members

Product Classification

Product Type Star Support Bracket

General Specifications

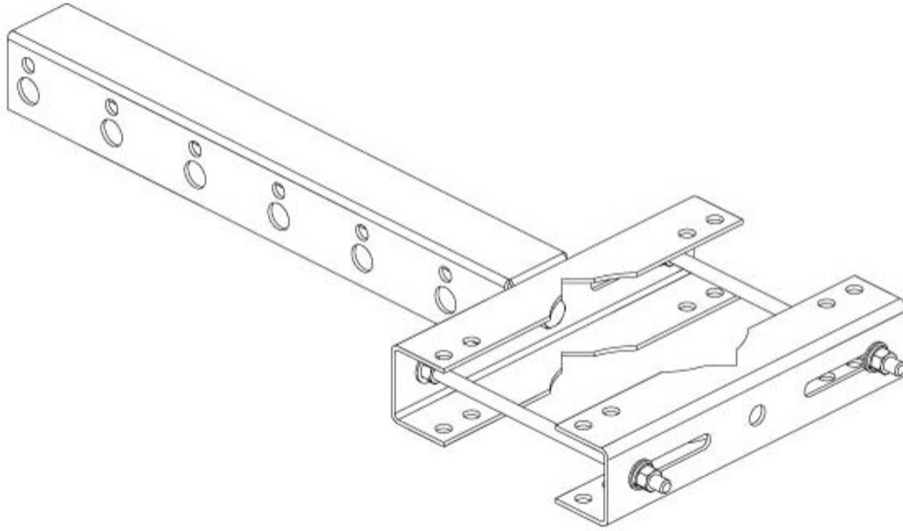
Cable Runs, quantity 16
Hole, quantity 16
Mounting Round and angle legs

Dimensions

Height 101.6 mm | 4 in
Width 304.8 mm | 12 in
Length 254 mm | 10 in
Mounting Diameter, maximum 139.7 mm | 5.5 in
Mounting Diameter, minimum 38.1 mm | 1.5 in
Hole Size 3/4 in | 7/16 in

B2252PG

Outline Drawing



Material Specifications

Material Type Hot dip galvanized steel

Packaging and Weights

Included Brackets

Packaging quantity 1

Weight, net 4.5 kg | 9.921 lb