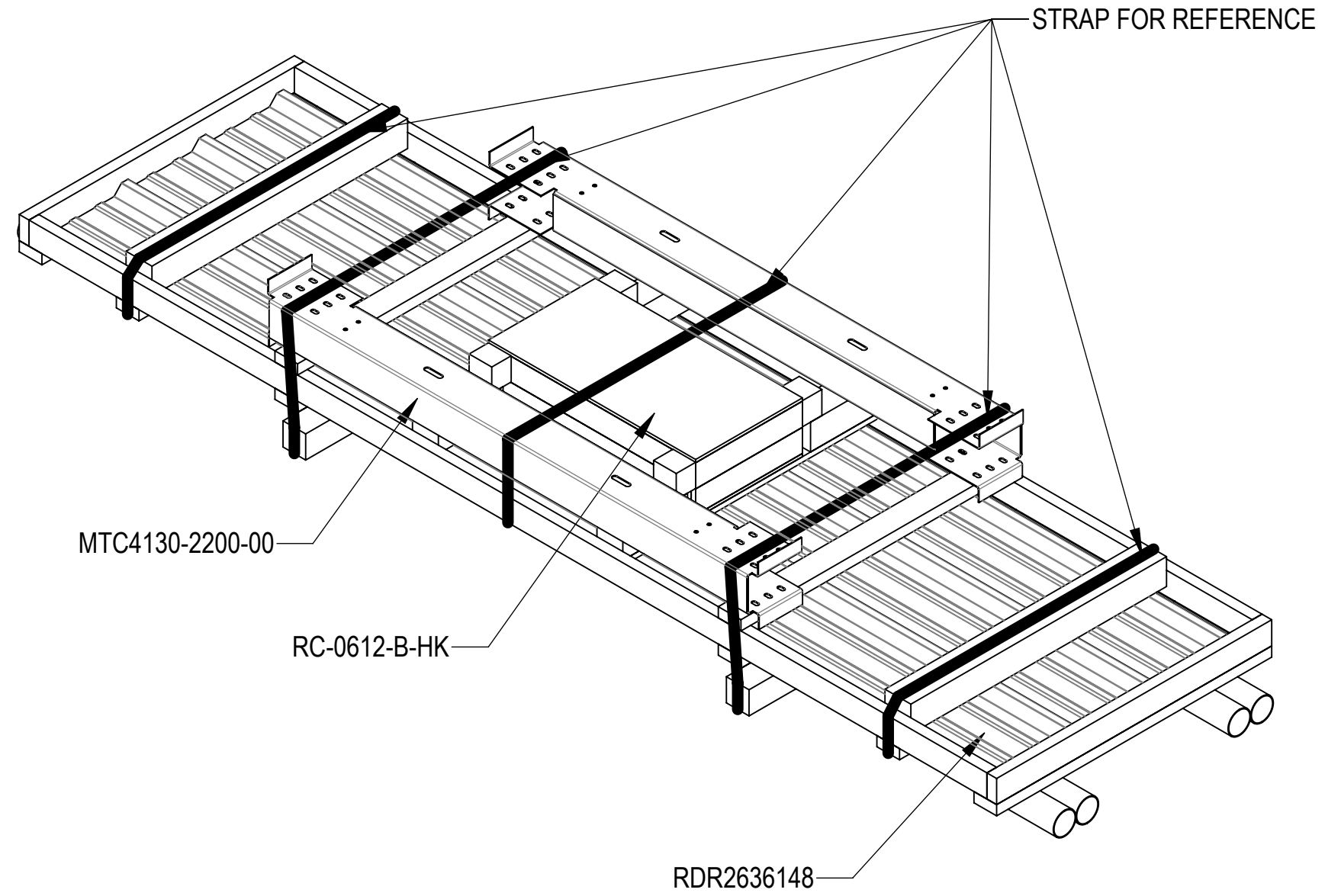
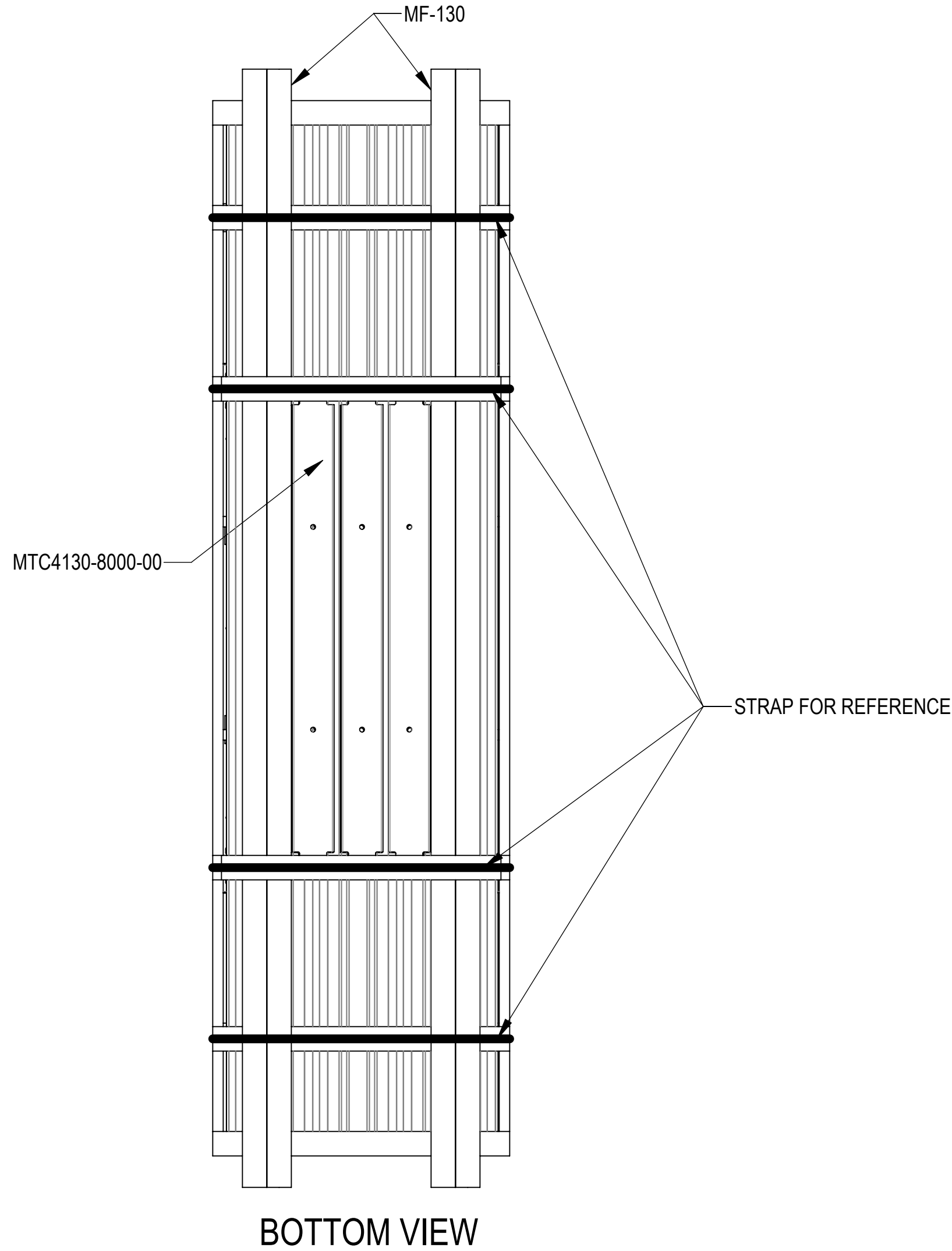


- 1.0 GENERAL NOTES
 - 1.1 ALL METRIC DIMENSIONS ARE IN BRACKETS [X. X]
 - 1.2 FOR PATENT INFO: <https://www.cs-pat.com>
- 2.0 DESIGN NOTES
 - 2.1 ANY HAZARDS OR OBSTRUCTIONS TO THE CLIMBING FACILITY AND SAFETY CLIMB MUST BE IDENTIFIED PRIOR TO INSTALLING THE APPURTENANCE. ADDITIONAL PRODUCTS MAY BE REQUIRED TO MAINTAIN THE INTEGRITY OF THE SAFETY CLIMB. DURING INSTALLATION, TEMPORARY AND/OR PERMANENT PRECAUTIONARY MEASURES SHOULD BE TAKEN TO PRESERVE THE CLIMBING FACILITY AND/OR SAFETY CLIMB.
- 3.0 MANUFACTURING/SPECIAL REQUIREMENTS
 - 3.1 TIGHTEN ALL BOLTS SECURING FLAT PLATES BY THE TURN-OF-NUT METHOD. TIGHTEN ALL U-BOLTS USING TURN-OF-NUT METHOD WITH ATTENTION TO LEAVE EQUAL DISTANCE AND EQUAL FORCE ON EACH LEG OF THE U-BOLT.
 - 3.2 THE VERTICAL POSTS CAN BE FIELD TRIMMED AS NEEDED AND ALL CUTS ARE TO BE TREATED WITH COLD GALVANIZING COMPOUND.
- 4.0 TEST
- 5.0 PACKAGING
 - 5.1 PACKAGING SHALL MEET COMMSCOPE REQUIREMENTS PER DOCUMENT IS-PL-3005
 - 5.2 PRINTED DOCUMENT TO BE PLACED INSIDE POLYBAG AND THEN IN SHIPPING CONTAINER
 - 5.3 EXTRA HARDWARE MAY BE SUPPLIED, BAGGED AND SHIPPED

REVISIONS			
REV.	DESCRIPTION	DATE	APPROVED
A	INITIAL RELEASE	YMENG 2APR24	YW1047 40191985CMO



PACKAGE

DENSITY		lbs/in ³
MASS	753.33	lbs
VOLUME	2651.93	in ³
SURFACE AREA	61763.26	in ²
HEIGHT	164.6"	
LENGTH	151.1"	
WIDTH	78.3"	

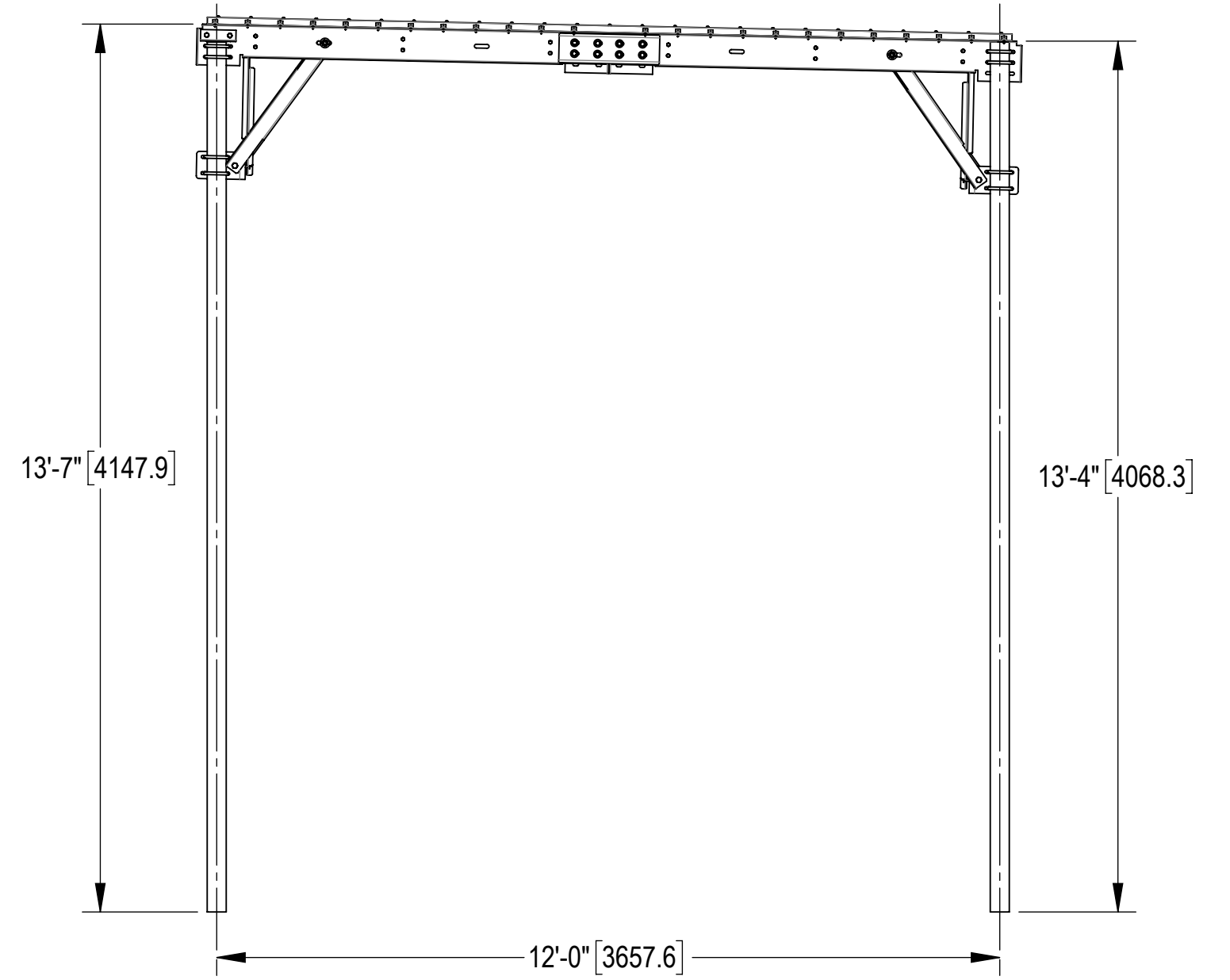
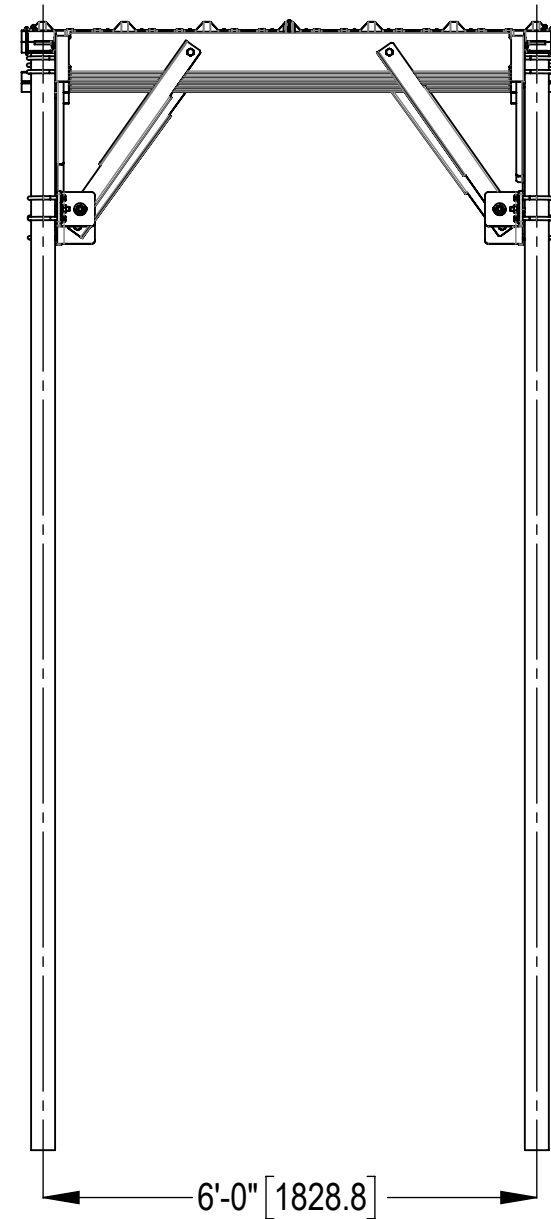
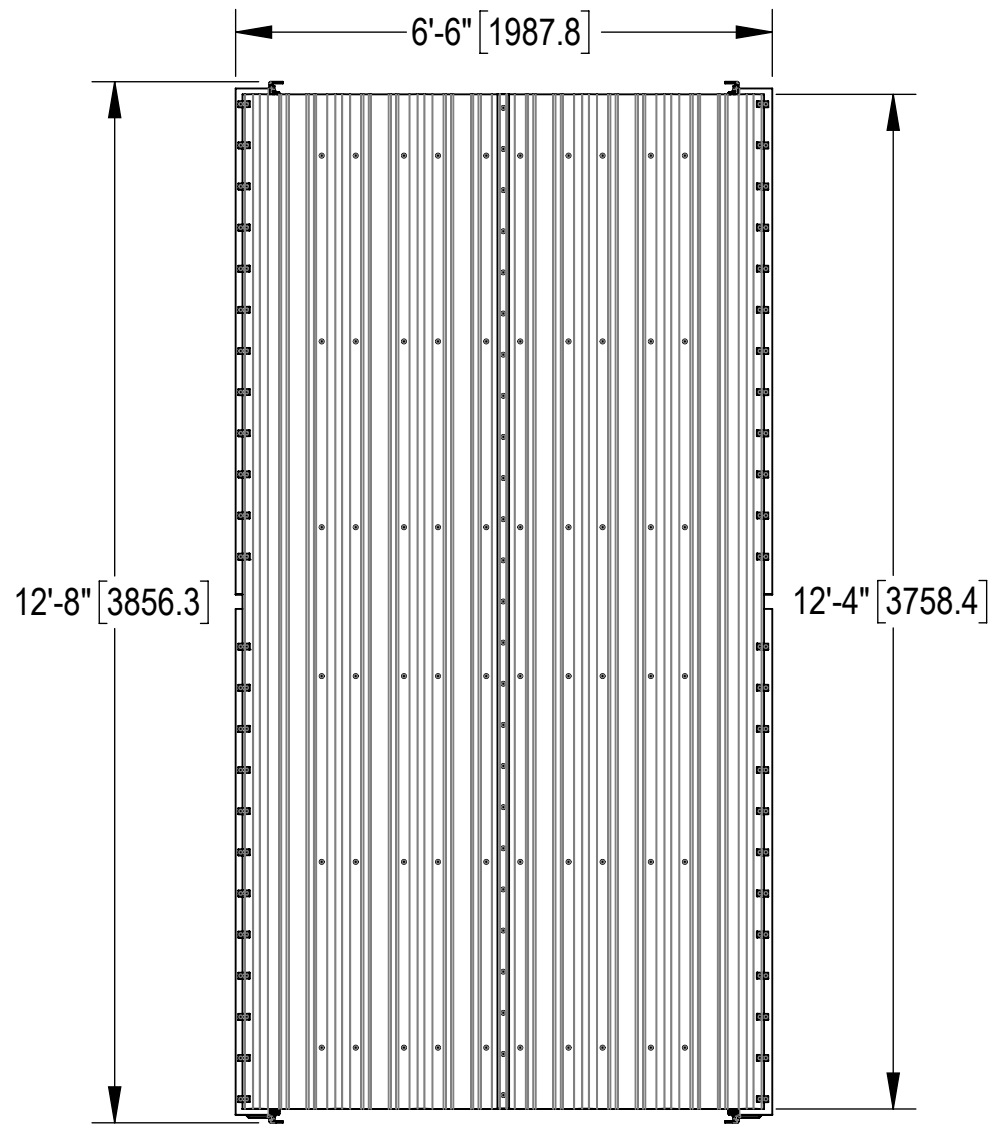
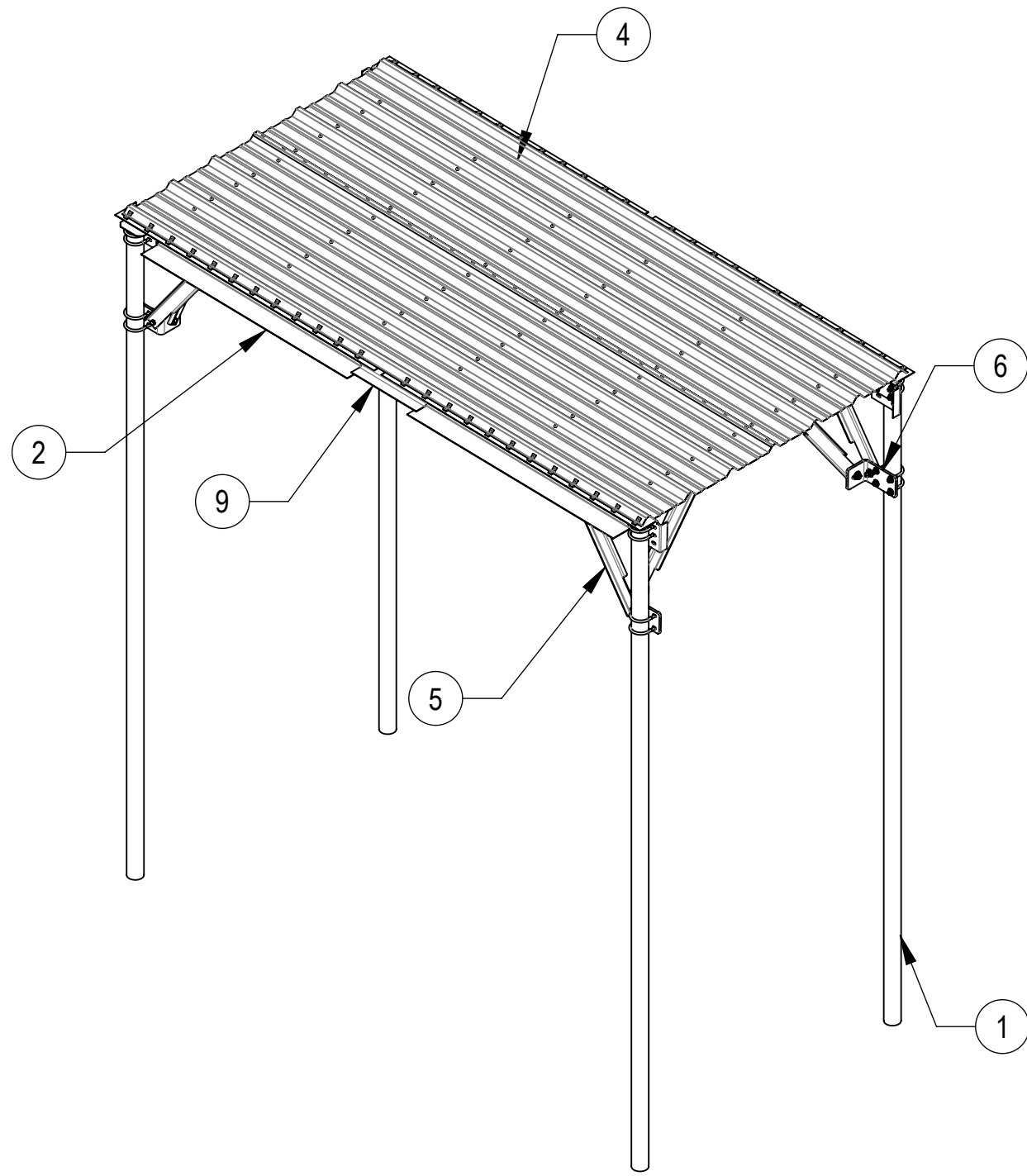
COMMSCOPE, INC. OF NORTH CAROLINA																	
TOLERANCES					SAP MATERIAL MASTER												
1 PLACE .X[X] ± 0.2[6.3]		3 PLACE .XXX[X] ± 0.060[1.5]			RC-0612-B												
2 PLACE .XX[X] ± 0.12[3.0]		ANGLES ± 2°															
FINISH					MATERIAL												
UNLESS OTHERWISE SPECIFIED DIMENSIONS ARE IN INCHES INTERPRET PER ANSI Y 14.5M-1994																	
										NAME		DATE		TITLE			
										CE YMENG		2APR24		06'X12' RAIN CANOPY, 13'-4" BURIAL POST			
										RW RY1002		04/29/2024					
										AD YW1047		05/05/2024		SCALE		DOCUMENT NO.	
RE YMENG		05/05/2024		1:20		RC-0612-B											
ECN 40191985CMO																	
SIZE		Auth Group		INSL		MODEL		DRAWING									
C						VERSION		STATUS									
						00		RE									
						A		00									
						RE		A									
SHEET 1 OF 5																	

4

3

2

1



COMPONENT PART NUMBERS PROVIDED FOR ASSEMBLY PURPOSES;
INDIVIDUAL COMPONENTS MAY BE SHIPPED AS PARTS WITHIN AN INCLUDED KIT.

ITEM	PART NO.	DESCRIPTION	QTY.	WEIGHT	NOTE NO.
1	MF-130	3.5" O.D. X 13'-4" DIRECT BURIAL PIPE COLUMN	4	57.97 LBS	
2	MTC4130-2200-00	OUTER CHANNEL, ROOF SUPPORT	4	38.33 LBS	
3	MTC4130-8000-00	CANOPY CENTER CHANNEL	6	21.85 LBS	
4	RDR2636148	ROOF DECKING PBR 26 GA 36" X 148"	2	43.72 LBS	
5	MTC4130-3000-00	CANOPY BRACE	8	6.52 LBS	
6	MTC4130-4000-00	CANOPY BRACE ADAPTER	4	9.16 LBS	
7	MTC4130-5000-00	PLATE, 7"X 5"	4	2.76 LBS	
8	MTC4130-6000-00	HEIGHT ADJUSTMENT BRACKET	2	1.26 LBS	
9	MTC4130-9000-00	OUTER CONNECTION CHANNEL	2	6.71 LBS	
10	GUB-4355	1/2" X 3-5/8" X 5" GALV U-BOLT	16	0.71 LBS	
11	GB-04145	1/2" X 1-1/2" GALV BOLT KIT	20	0.13 LBS	
12	GB-03105	3/8" X 1" GALV BOLT KIT	24	0.05 LBS	
13	GB-05205FT	5/8" X 2" GALV BOLT KIT	16	0.26 LBS	
14	GWF-04	1/2" GALV FLAT WASHER	36	0.04 LBS	
15	GWF-05	5/8" GALV FLAT WASHER, 1.70D	12	0.06 LBS	
16	MTC3799C26	CLIP, RDR PANEL	48	0.05 LBS	
17	MTC371531	1/4-14X7/8 SELF DRILLING HEX HEAD SCREW	73	0.02 LBS	
18	TS1275	TEK SCREW #12 X 3/4, WITH NEOPRENE WASHER	108	0.02 LBS	

COMMSCOPE, INC. OF NORTH CAROLINA			
TITLE 06'X12' RAIN CANOPY, 13'-4" BURIAL POST			
SIZE C	SCALE 1:32	DOCUMENT NO. RC-0612-B	
DRAWING		VERSION	STATUS
REVISION		00	RE
SHEET		REVISION	A
2 OF 5			

© 2024 CommScope, Inc. Confidential

4

3

2

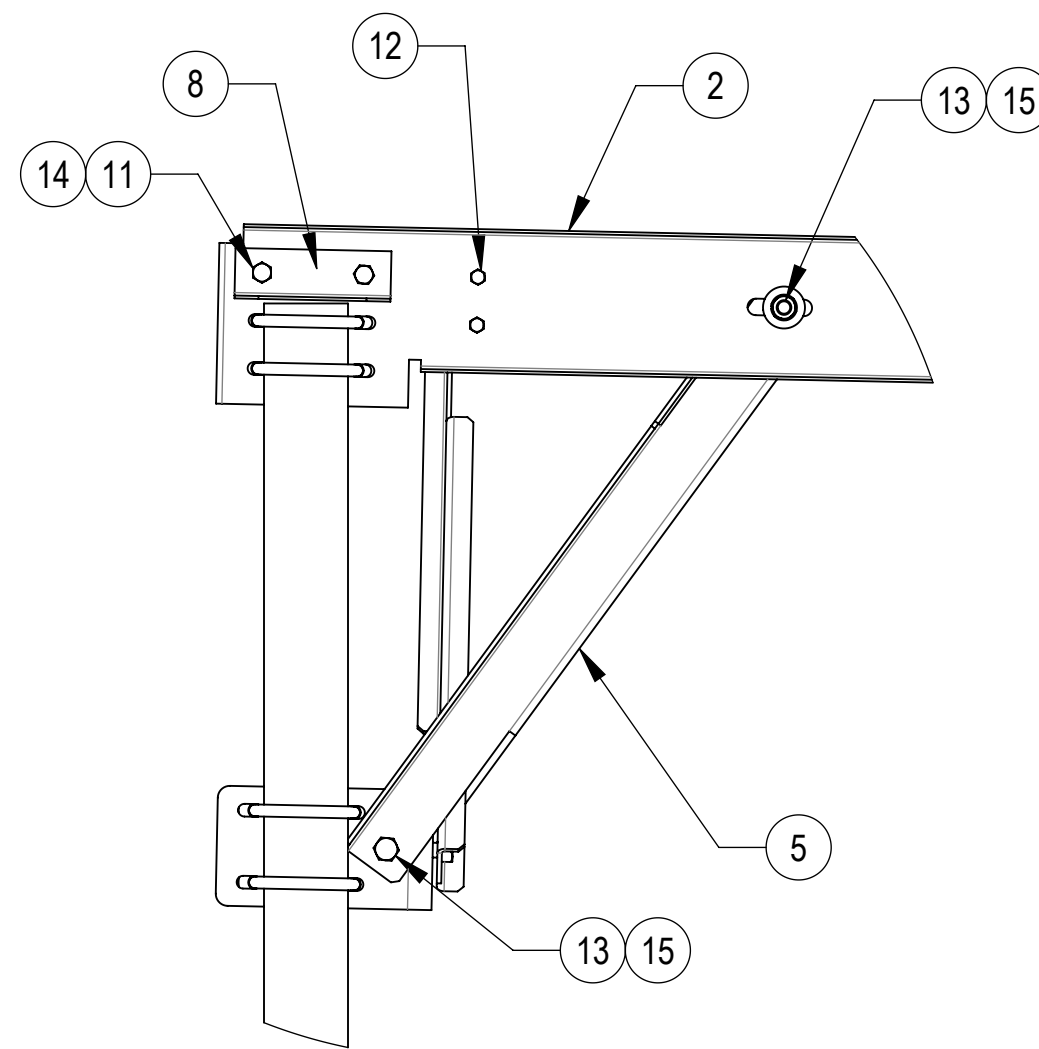
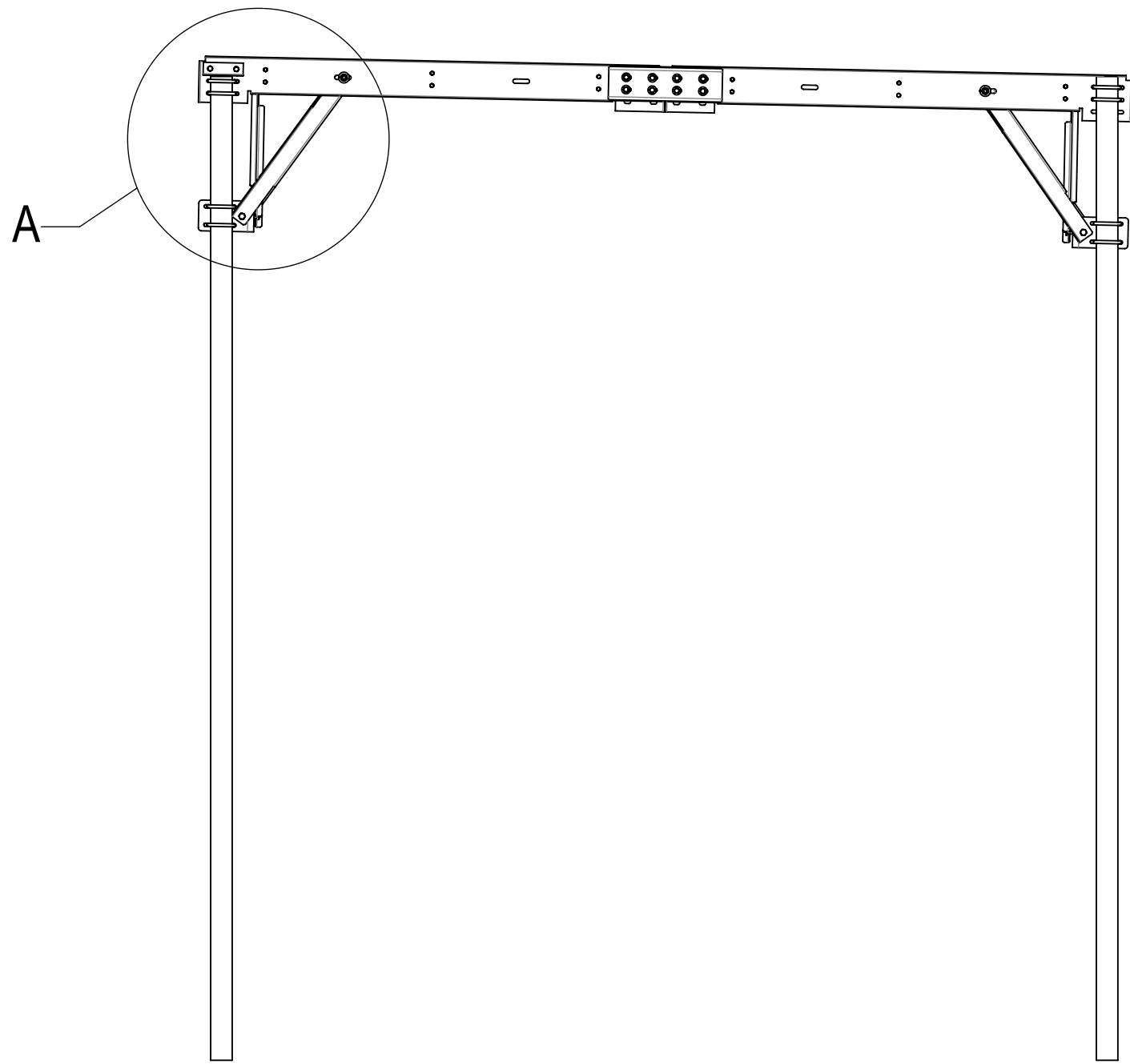
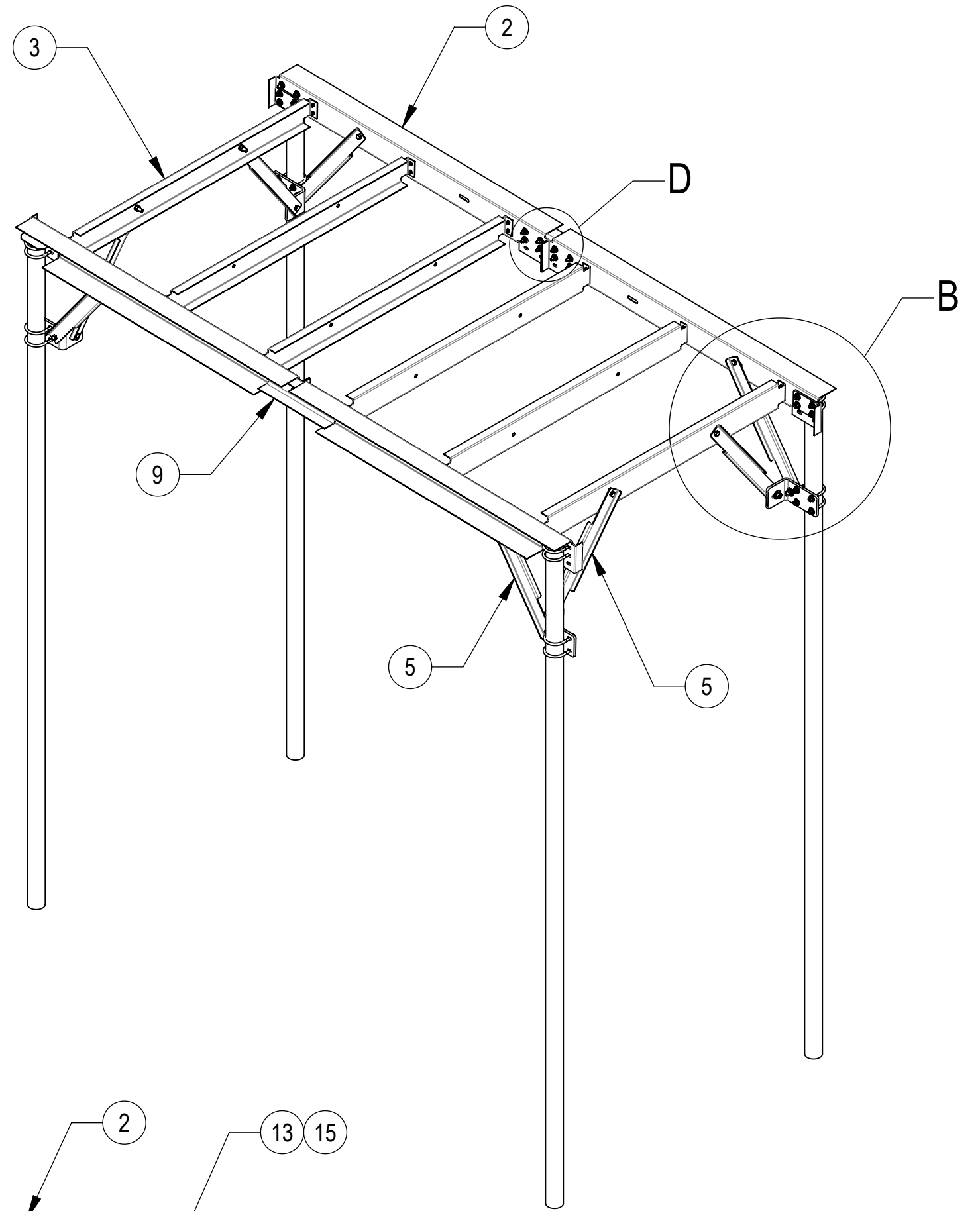
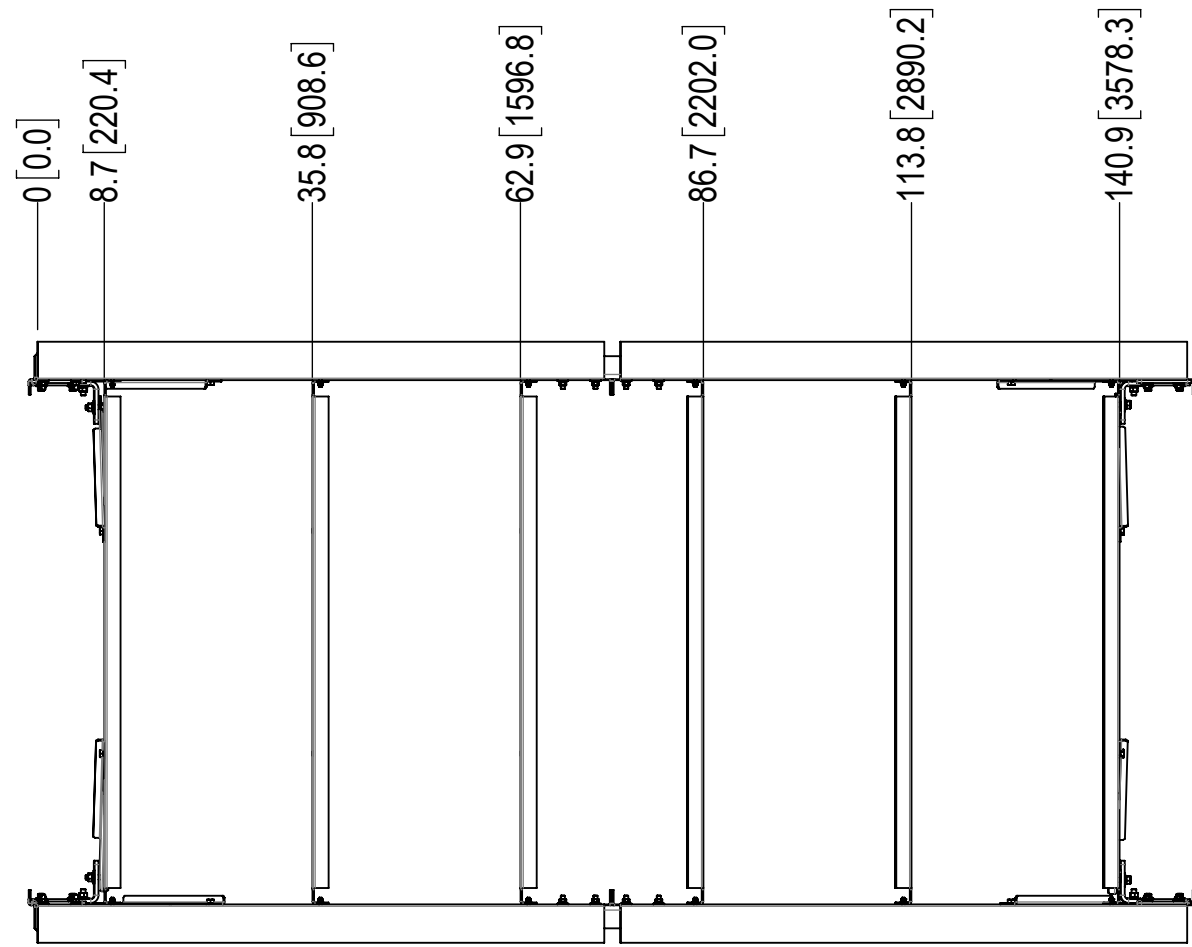
1

4

3


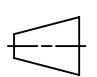
2

1



DETAIL A
SCALE 1 : 8

HIDE ROOF DECKING FOR CLARITY

COMMSCOPE, INC. OF NORTH CAROLINA					
TITLE 06'X12' RAIN CANOPY, 13'-4" BURIAL POST					
SIZE C	SCALE 1:32	DOCUMENT NO. RC-0612-B			
 		DRAWING			SHEET 3 OF 5
		VERSION 00	STATUS RE	REVISION A	

4

3

2

1



D

D

C

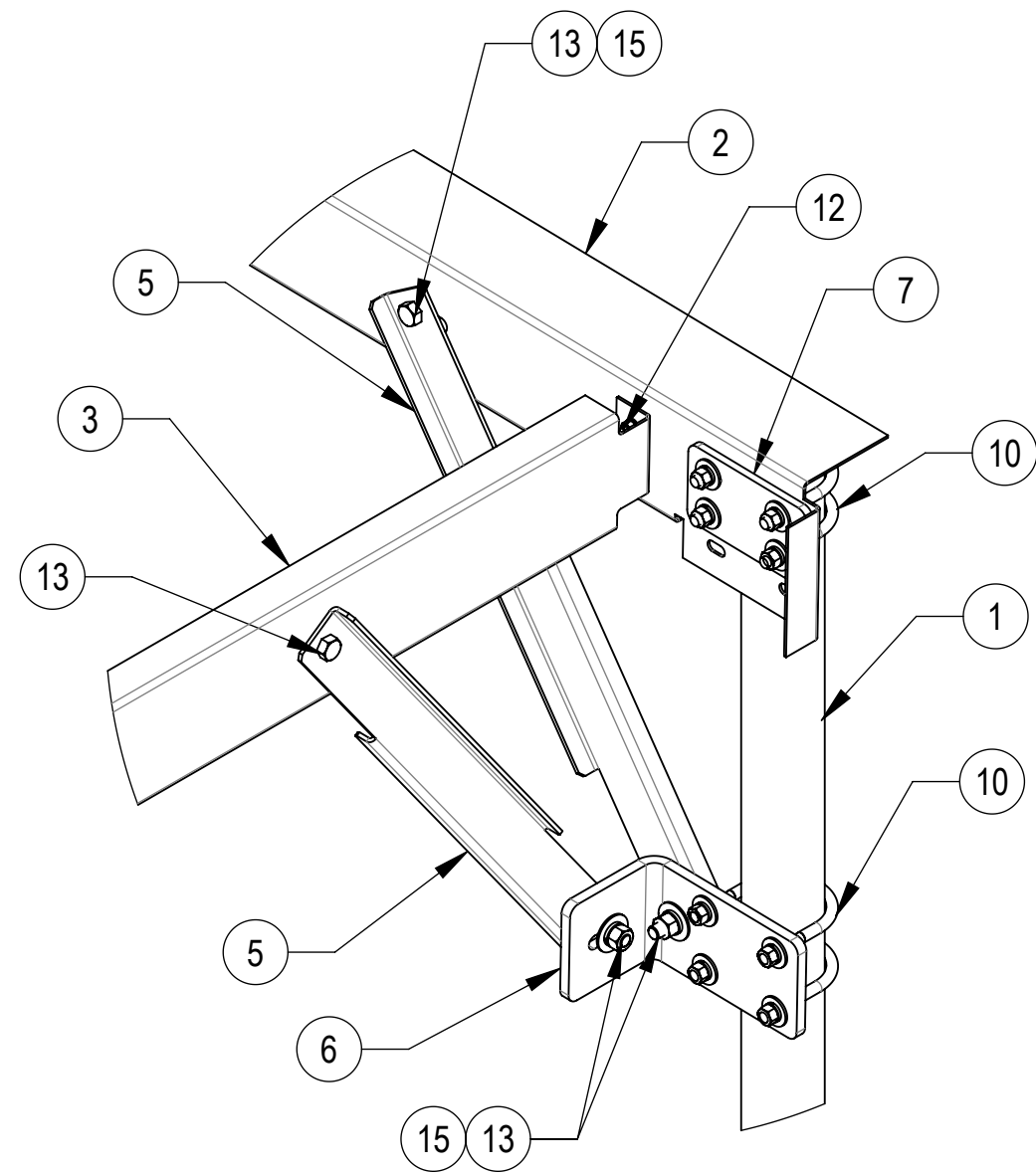
C

B

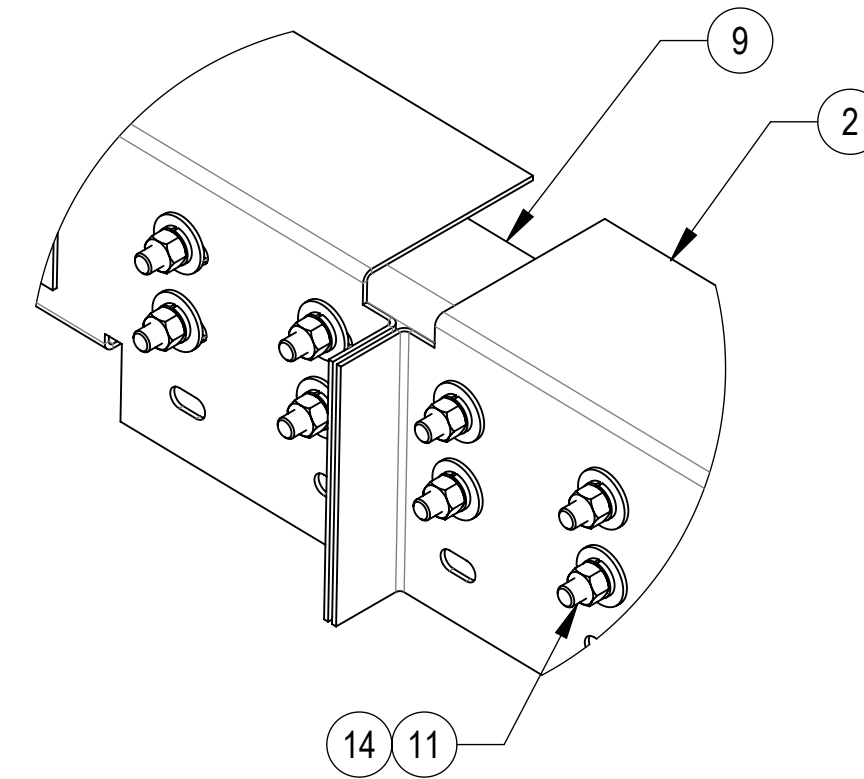
B

A

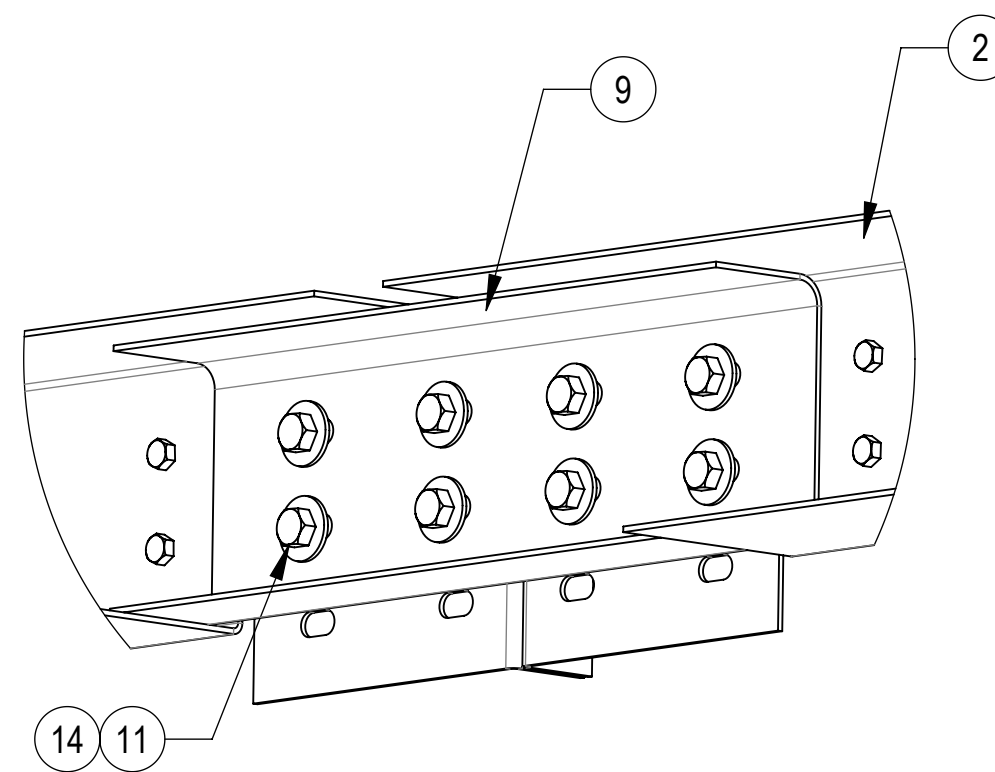
A



DETAIL B
SCALE 1 : 8

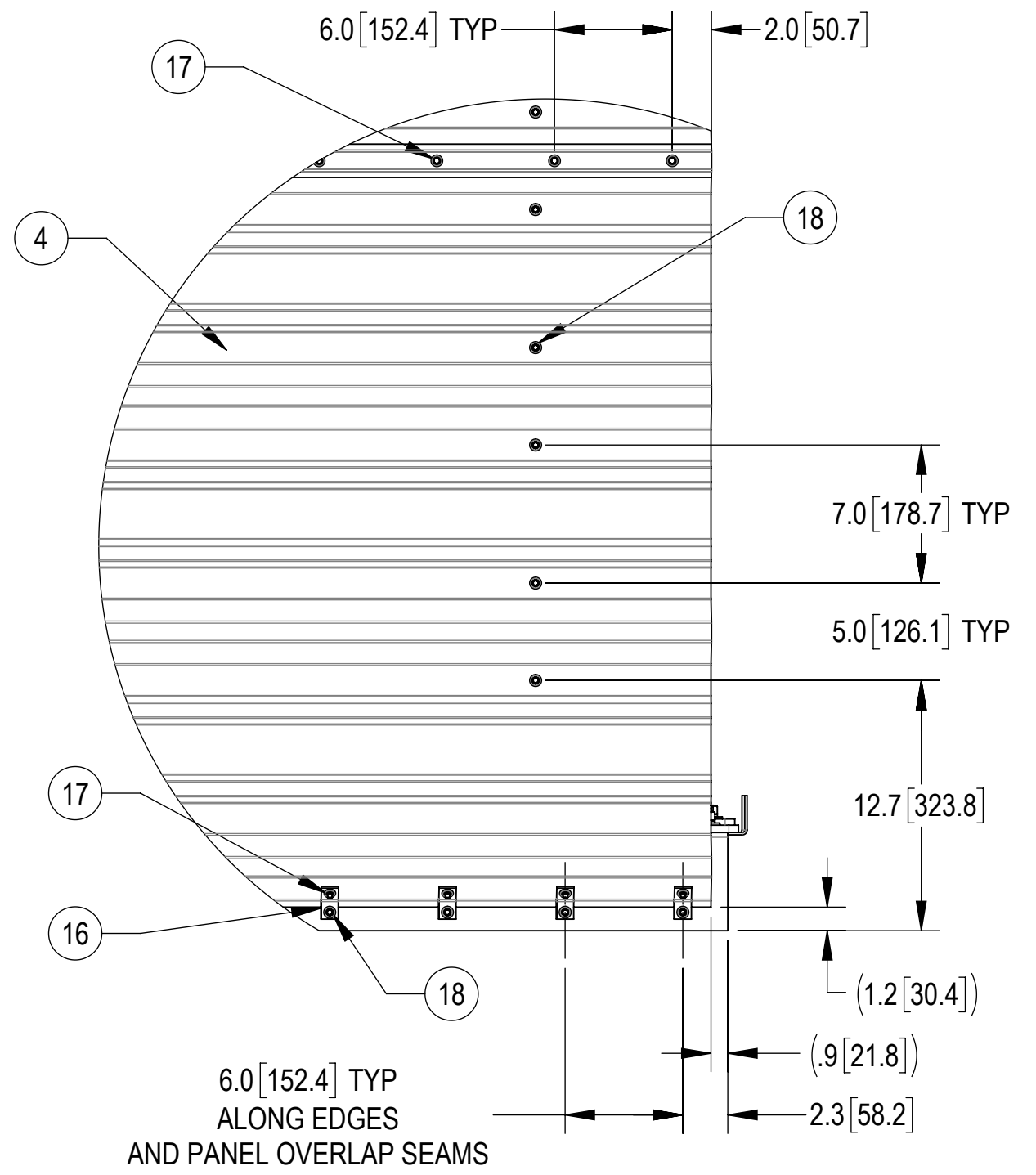
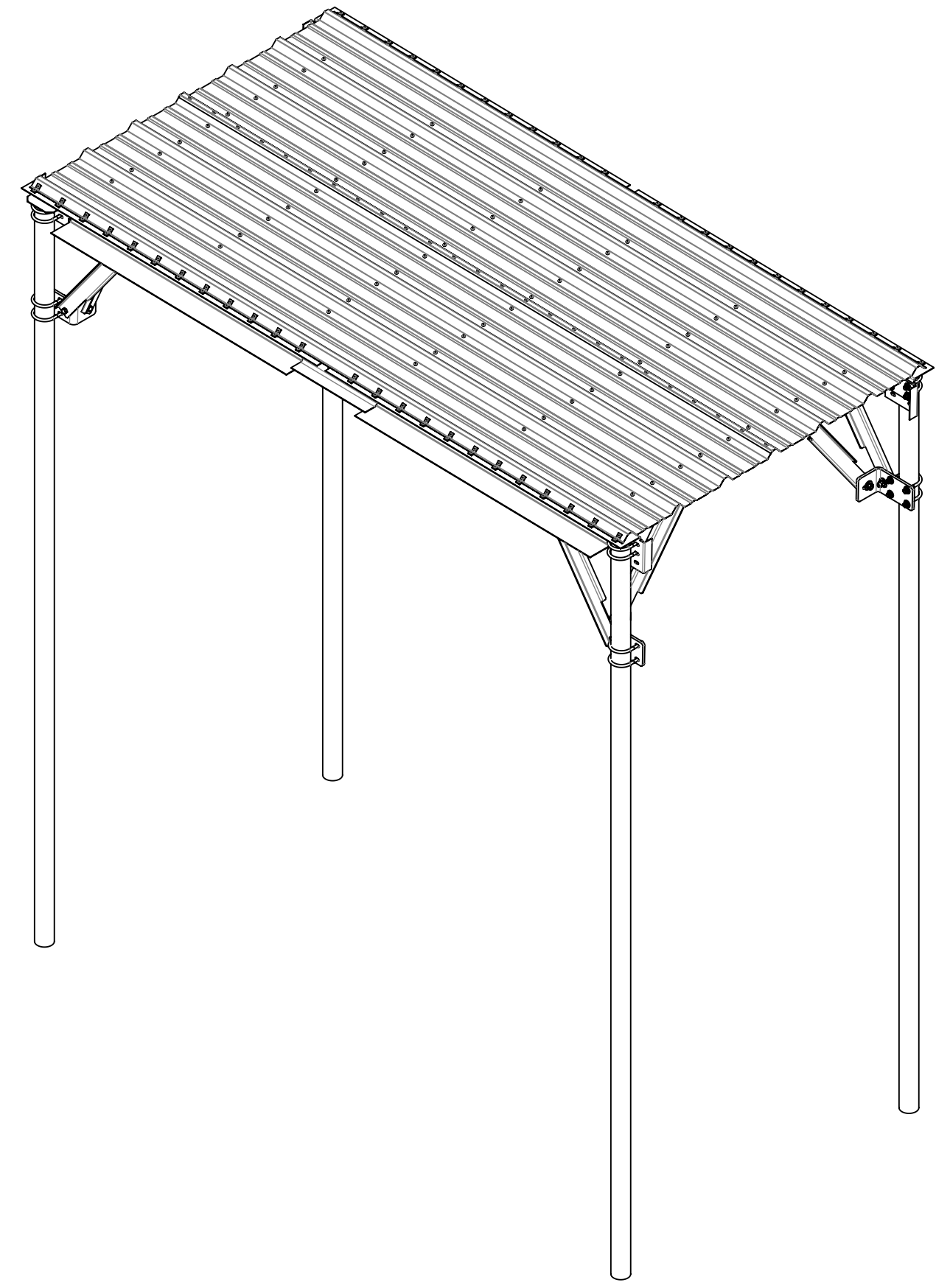
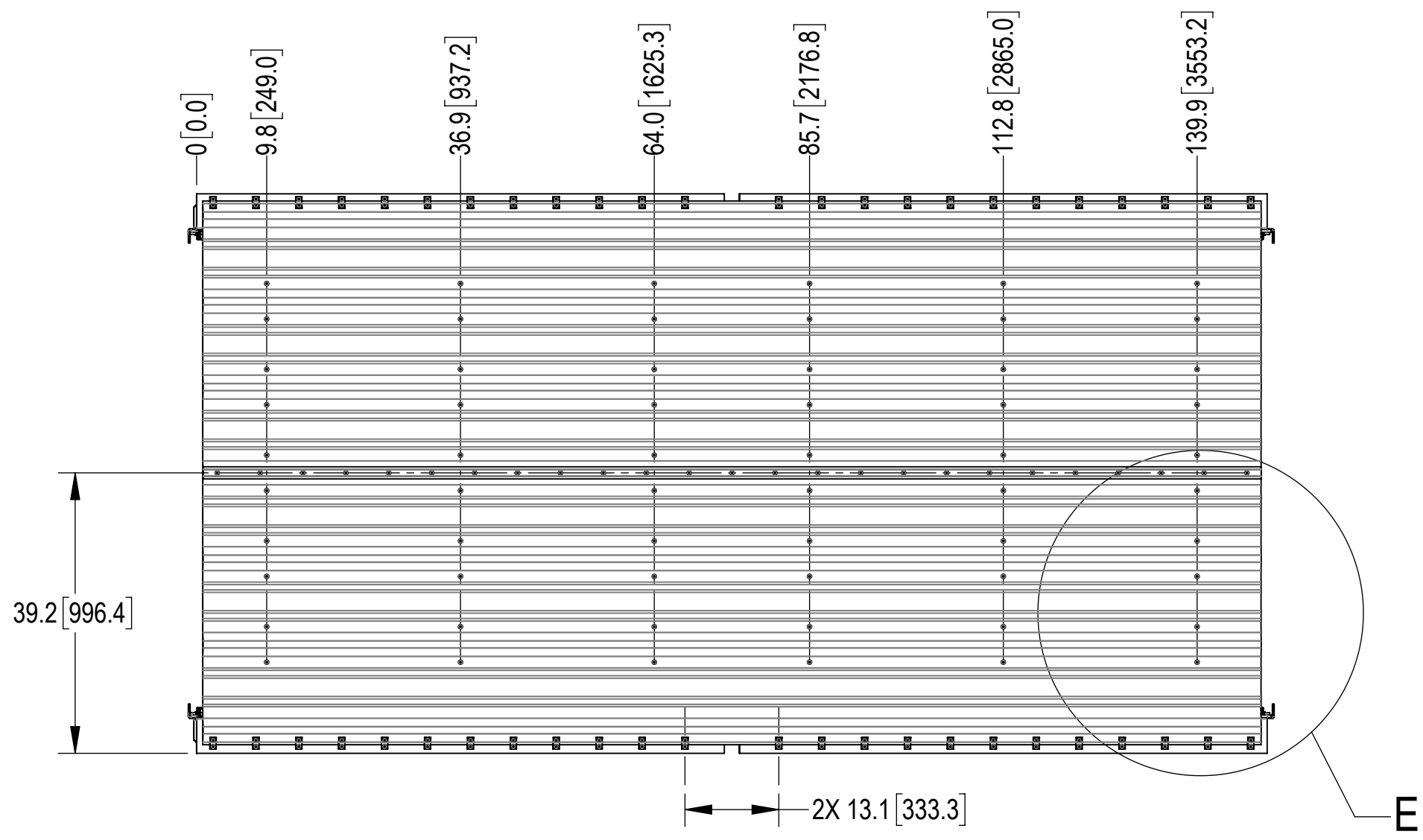


DETAIL D
SCALE 1 : 4


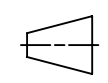


DETAIL D
BACK VIEW
SCALE 1 : 4

COMMSCOPE, INC. OF NORTH CAROLINA					
TITLE 06'X12' RAIN CANOPY, 13'-4" BURIAL POST					
SIZE C	SCALE 1:20	DOCUMENT NO. RC-0612-B			
		DRAWING			SHEET 4 OF 5
		VERSION 00	STATUS RE	REVISION A	



DETAIL E
SCALE 1 : 8

COMMSCOPE, INC. OF NORTH CAROLINA				
TITLE 06'X12' RAIN CANOPY, 13'-4" BURIAL POST				
SIZE C	SCALE 1:32	DOCUMENT NO. RC-0612-B		
 		DRAWING		SHEET
		VERSION 00	STATUS RE	REVISION A