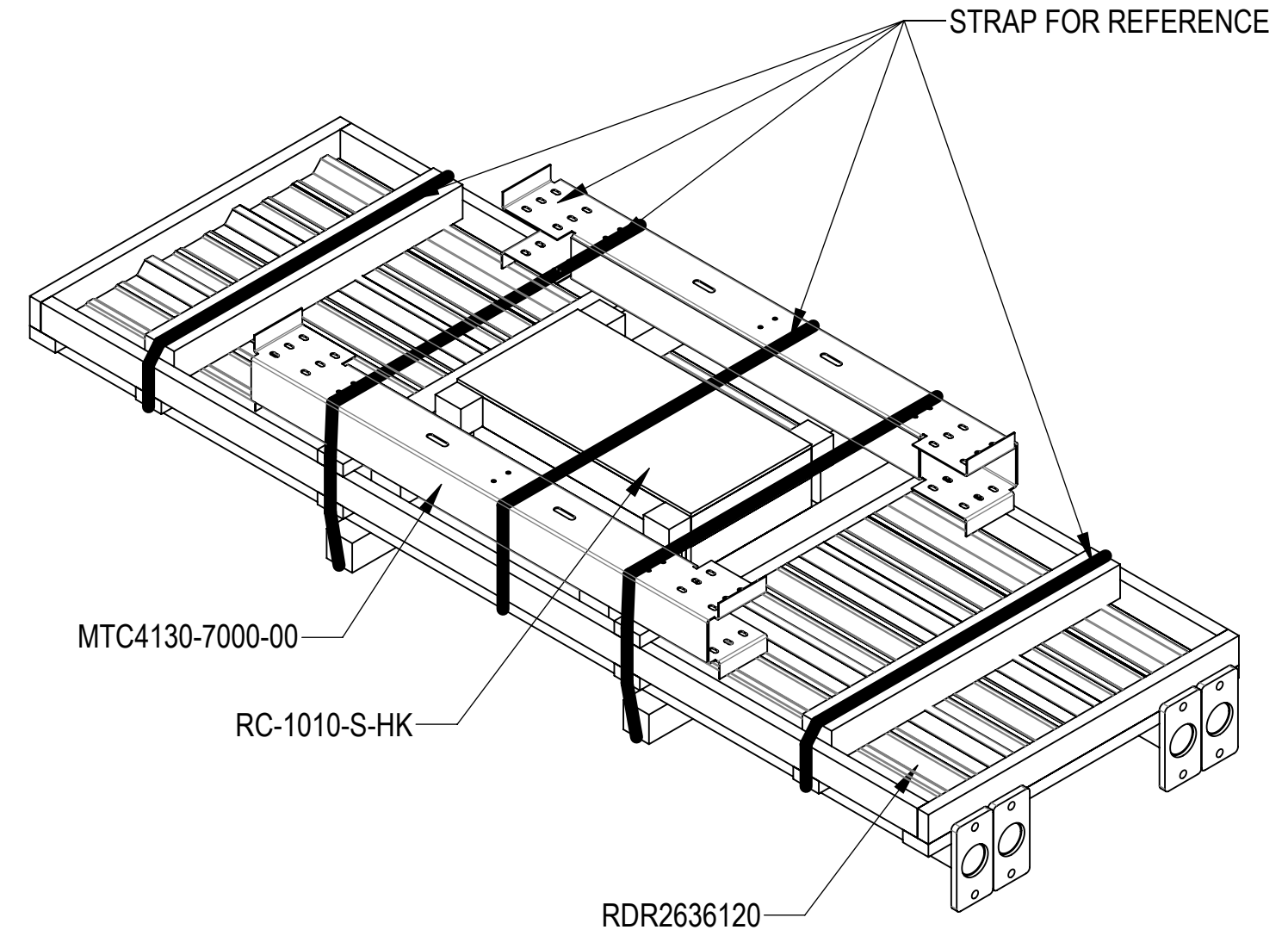
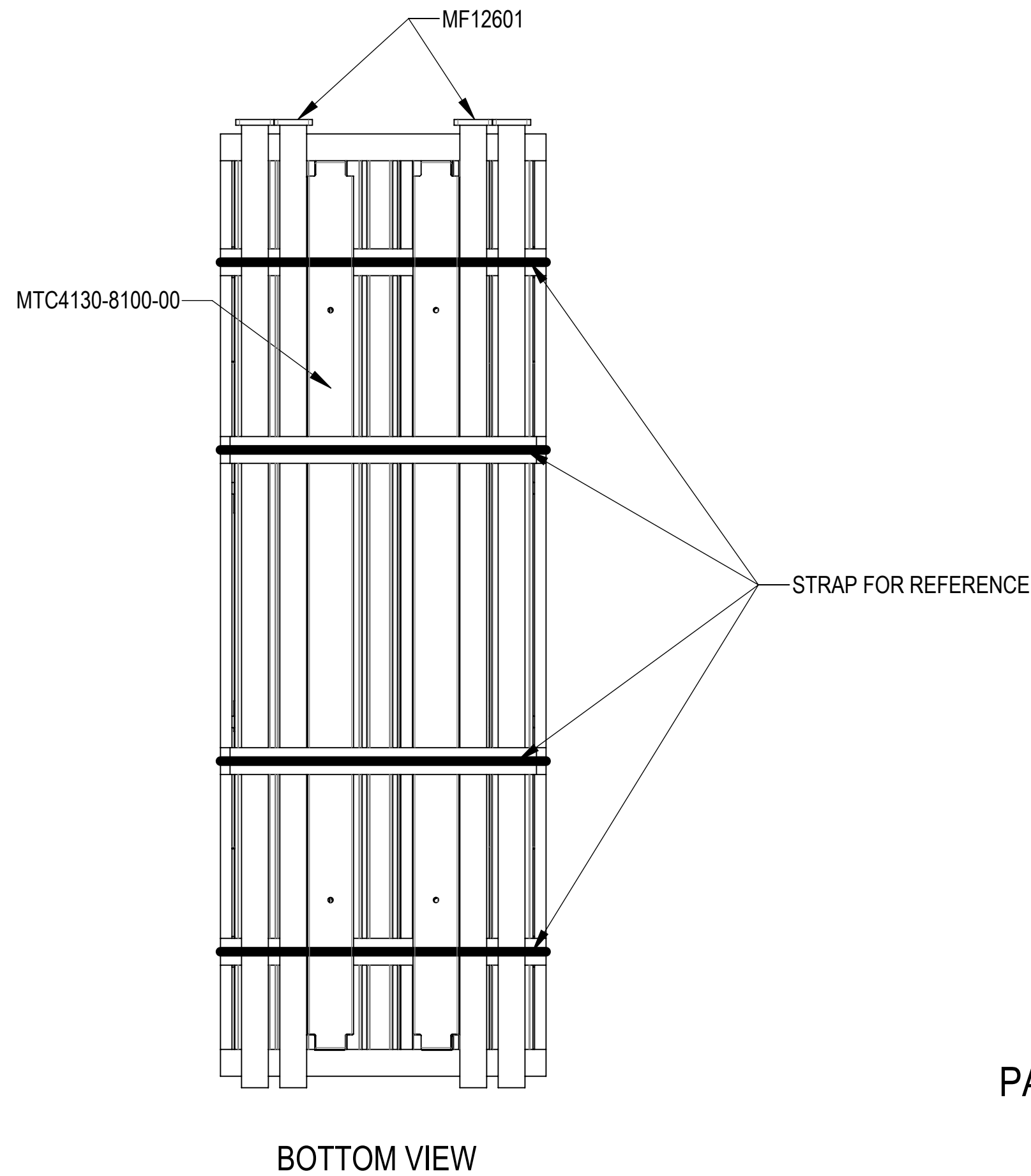


- 1.0 GENERAL NOTES
  - 1.1 ALL METRIC DIMENSIONS ARE IN BRACKETS [X. X]
  - 1.2 FOR PATENT INFO: <https://www.cs-pat.com>
- 2.0 DESIGN NOTES
  - 2.1 ANY HAZARDS OR OBSTRUCTIONS TO THE CLIMBING FACILITY AND SAFETY CLIMB MUST BE IDENTIFIED PRIOR TO INSTALLING THE APPURTENANCE. ADDITIONAL PRODUCTS MAY BE REQUIRED TO MAINTAIN THE INTEGRITY OF THE SAFETY CLIMB. DURING INSTALLATION, TEMPORARY AND/OR PERMANENT PRECAUTIONARY MEASURES SHOULD BE TAKEN TO PRESERVE THE CLIMBING FACILITY AND/OR SAFETY CLIMB.
- 3.0 MANUFACTURING/SPECIAL REQUIREMENTS
  - 3.1 TIGHTEN ALL BOLTS SECURING FLAT PLATES BY THE TURN-OF-NUT METHOD. TIGHTEN ALL U-BOLTS USING TURN-OF-NUT METHOD WITH ATTENTION TO LEAVE EQUAL DISTANCE AND EQUAL FORCE ON EACH LEG OF THE U-BOLT.
- 4.0 TEST
- 5.0 PACKAGING
  - 5.1 PACKAGING SHALL MEET COMMSCOPE REQUIREMENTS PER DOCUMENT IS-PL-3005
  - 5.2 PRINTED DOCUMENT TO BE PLACED INSIDE POLYBAG AND THEN IN SHIPPING CONTAINER
  - 5.3 EXTRA HARDWARE MAY BE SUPPLIED, BAGGED AND SHIPPED

REVISIONS			
REV.	DESCRIPTION	DATE	APPROVED
A	INITIAL RELEASE	RY1002 26MAR24	YW1047 40191985CMO



PACKAGE

<b>COMMSCOPE, INC. OF NORTH CAROLINA</b>											
TOLERANCES					SAP MATERIAL MASTER						
1 PLACE .X[X] ± 0.2[6.3]			3 PLACE .XXX[X] ± 0.060[1.5]		<b>RC-1010-S</b>						
2 PLACE .XX[X] ± 0.12[3.0]			ANGLES ± 2°								
FINISH					MATERIAL						
UNLESS OTHERWISE SPECIFIED DIMENSIONS ARE IN INCHES INTERPRET PER ANSI Y 14.5M-1994	NAME		DATE		<b>10'X10' RAIN CANOPY, 10'-6"-BASE SHOE</b>						
	CE	RY1002	26MAR24								
	RW	RY1002	04/29/2024								
	AD	YW1047	05/05/2024								
	RE	YMENG	05/05/2024								
ECN 40191985CMO					SCALE		DOCUMENT NO.				
					<b>1:20</b>		<b>RC-1010-S</b>				
SIZE		Auth Group		INSL		MODEL			DRAWING		
<b>C</b>		⊕		◁		VERSION		STATUS		REVISION	
						00		RE		A	
						00		RE		A	
										SHEET 1 OF 5	

DENSITY		lbs/in <sup>3</sup>
MASS	785.36	lbs
VOLUME	2765.89	in <sup>3</sup>
SURFACE AREA	76559.34	in <sup>2</sup>
HEIGHT	135.9"	
LENGTH	130.0"	
WIDTH	126.3"	

4

3

2

1

D

D

C

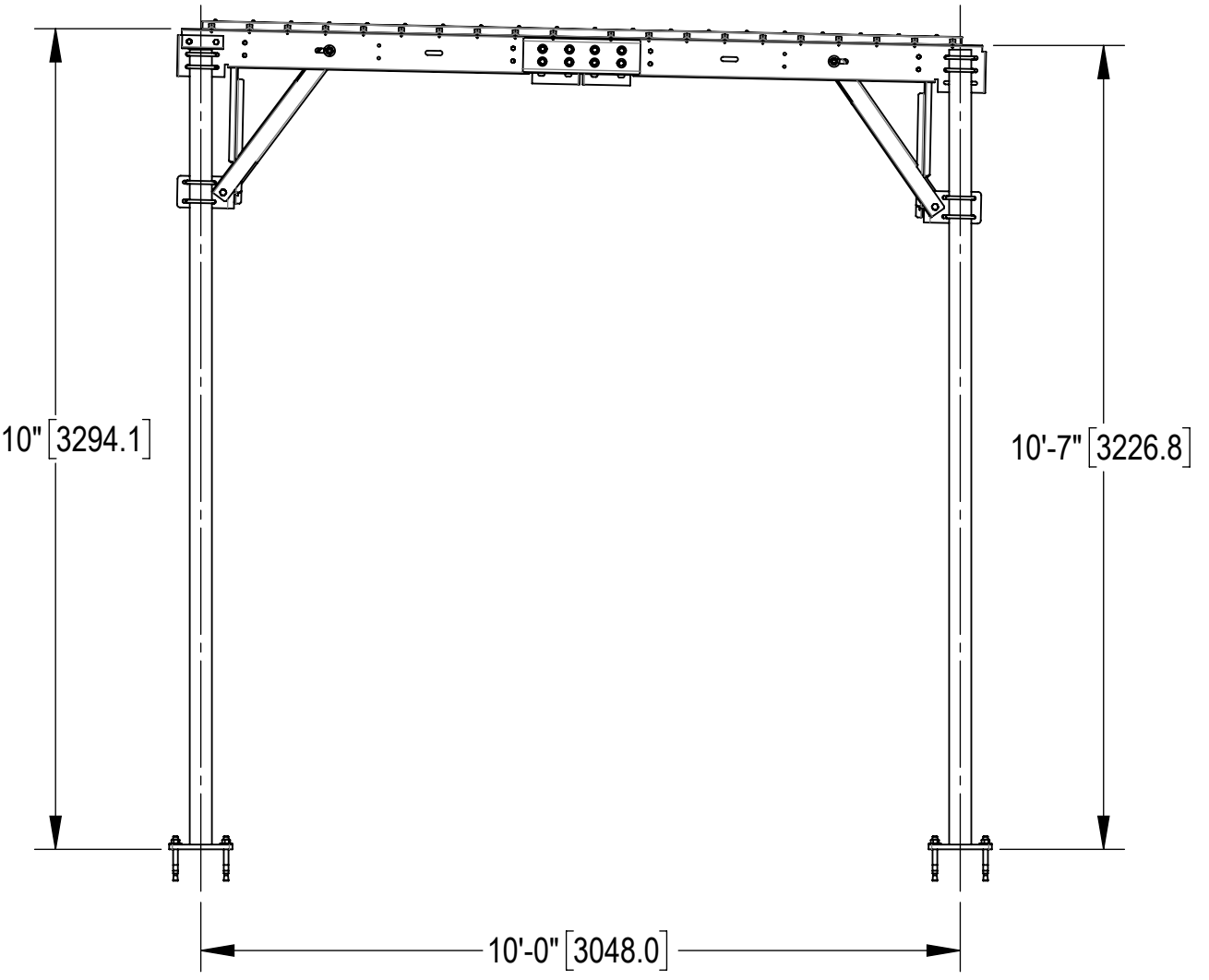
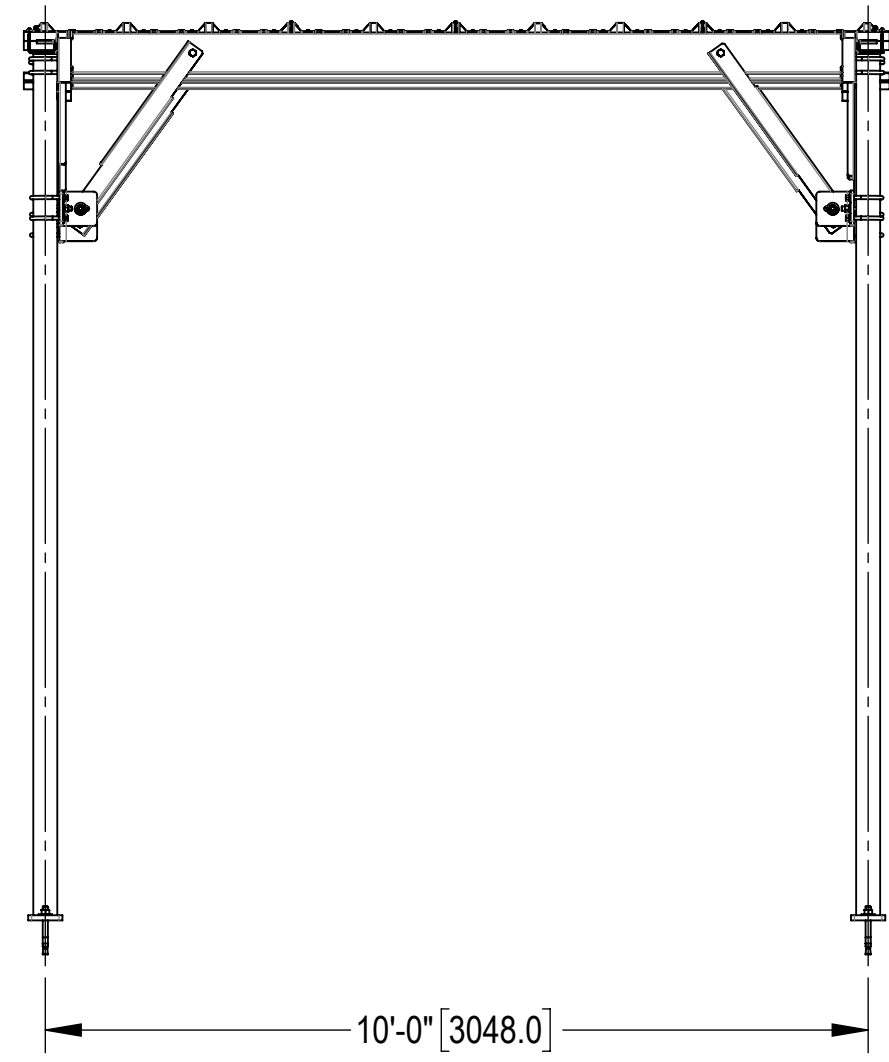
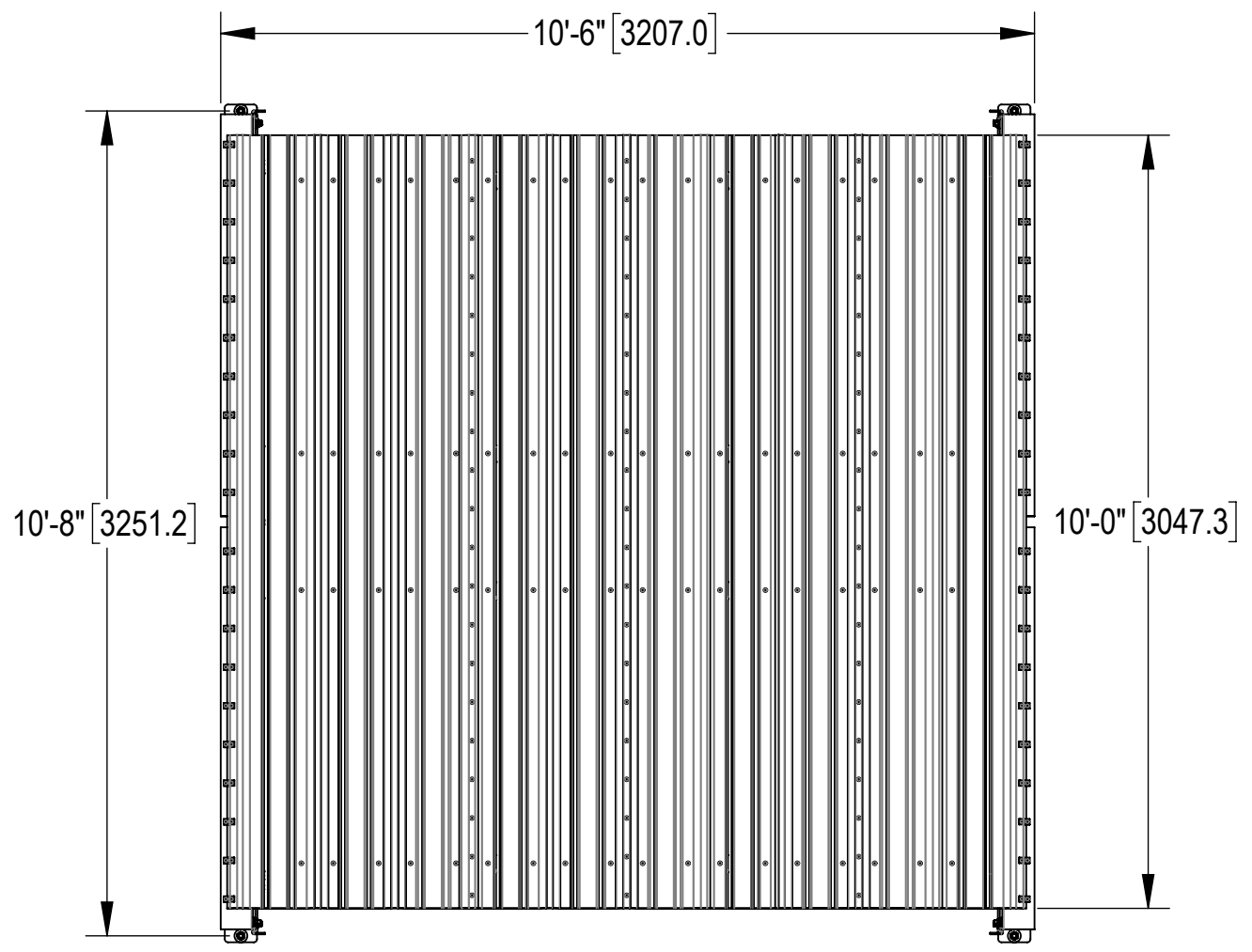
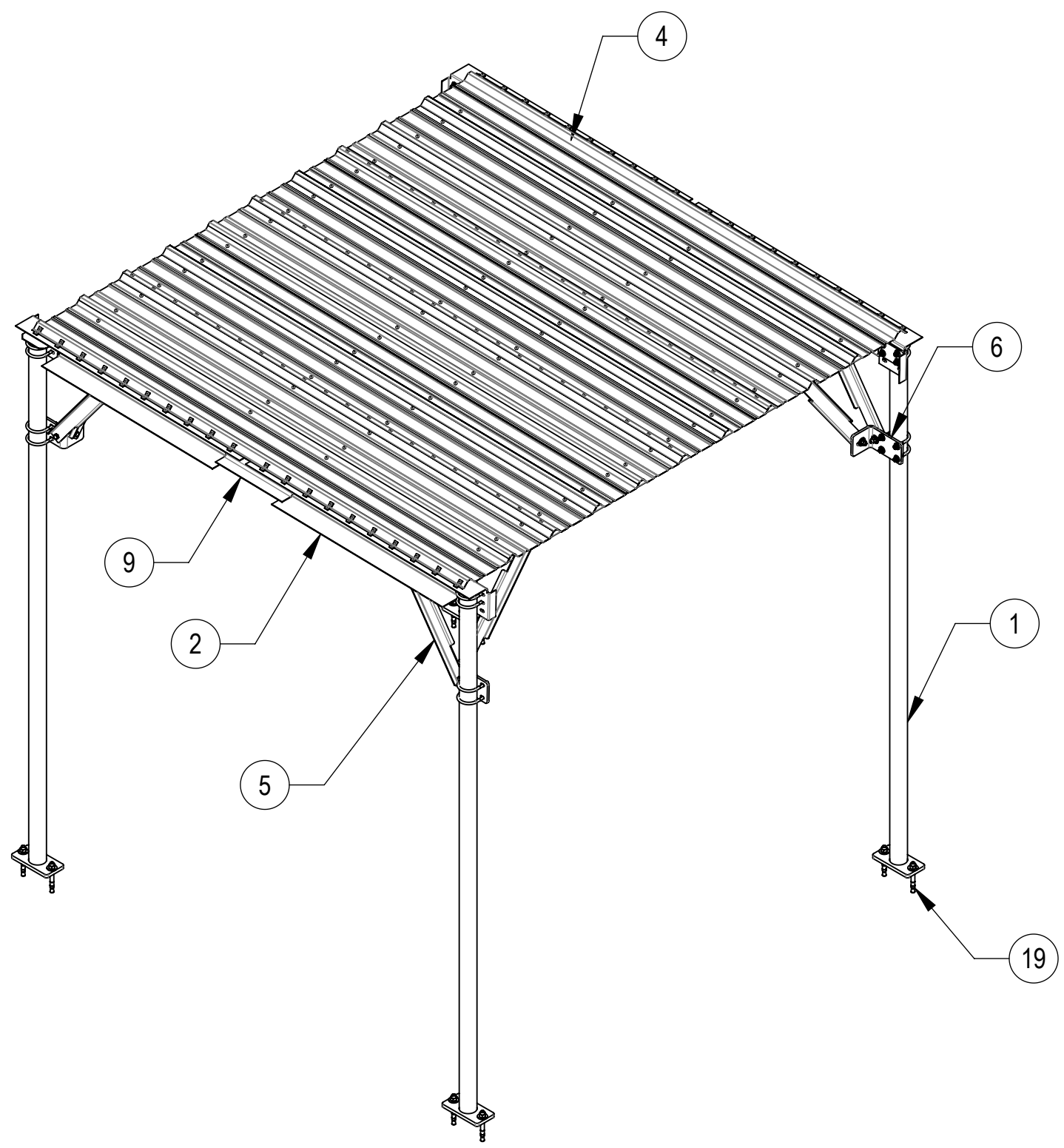
C

B

B

A

A



COMPONENT PART NUMBERS PROVIDED FOR ASSEMBLY PURPOSES;  
INDIVIDUAL COMPONENTS MAY BE SHIPPED AS PARTS WITHIN AN INCLUDED KIT.

ITEM	PART NO.	DESCRIPTION	QTY.	WEIGHT	NOTE NO.
1	MF12601	BASE SHOE WELDMENT, 10' 6"	4	53.81 LBS	
2	MTC4130-7000-00	OUTER CHANNEL, ROOF SUPPORT	4	32.10 LBS	
3	MTC4130-8100-00	CANOPY CENTER CHANNEL	4	41.34 LBS	
4	RDR2636120	ROOF DECKING PBR 26 GA 36" X 120"	4	29.65 LBS	
5	MTC4130-3000-00	CANOPY BRACE	8	6.52 LBS	
6	MTC4130-4000-00	CANOPY BRACE ADAPTER	4	9.16 LBS	
7	MTC4130-5000-00	PLATE, 7" X 5"	4	2.76 LBS	
8	MTC4130-6000-00	HEIGHT ADJUSTMENT BRACKET	2	1.26 LBS	
9	MTC4130-9000-00	OUTER CONNECTION CHANNEL	2	6.71 LBS	
10	GUB-4355	1/2" X 3-5/8" X 5" GALV U-BOLT	16	0.71 LBS	
11	GB-04145	1/2" X 1-1/2" GALV BOLT KIT	20	0.13 LBS	
12	GB-03105	3/8" X 1" GALV BOLT KIT	16	0.05 LBS	
13	GB-05205FT	5/8" X 2" GALV BOLT KIT	16	0.26 LBS	
14	GWF-04	1/2" GALV FLAT WASHER	36	0.04 LBS	
15	GWF-05	5/8" GALV FLAT WASHER, 1.70D	12	0.06 LBS	
16	MTC3799C26	CLIP, RDR PANEL	40	0.05 LBS	
17	MTC371531	1/4-14X7/8 SELF DRILLING HEX HEAD SCREW	100	0.02 LBS	
18	TS1275	TEK SCREW #12 X 3/4, WITH NEOPRENE WASHER	112	0.02 LBS	
19	MT-287	3/4" ANCHOR BOLT	8	1.08 LBS	

COMMSCOPE, INC. OF NORTH CAROLINA				
TITLE 10'X10' RAIN CANOPY, 10'-6"-BASE SHOE				
SIZE C	SCALE 1:32	DOCUMENT NO. RC-1010-S		
DRAWING		VERSION	STATUS	REVISION
SHEET 2 OF 5		00	RE	A

© 2024 CommScope, Inc. Confidential

4

3

2

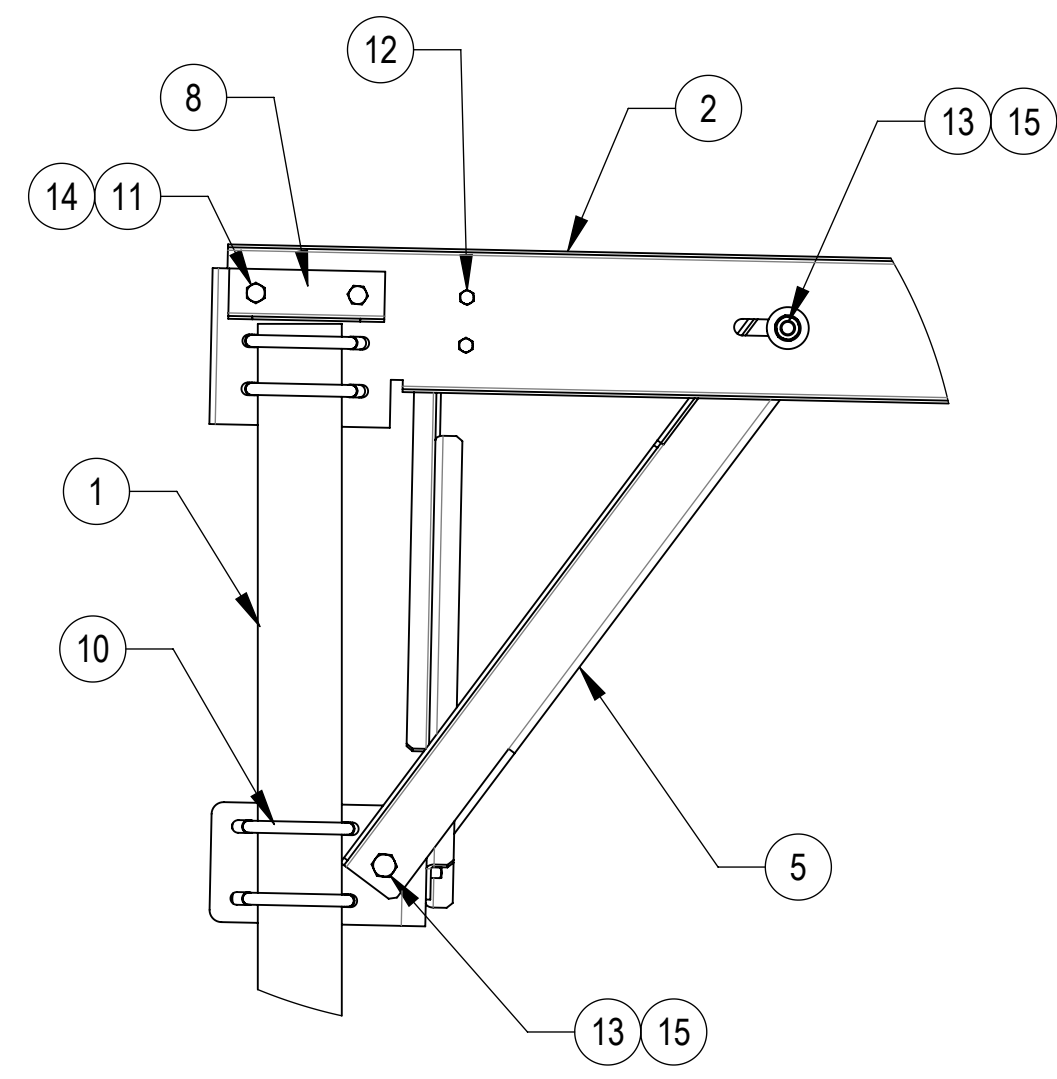
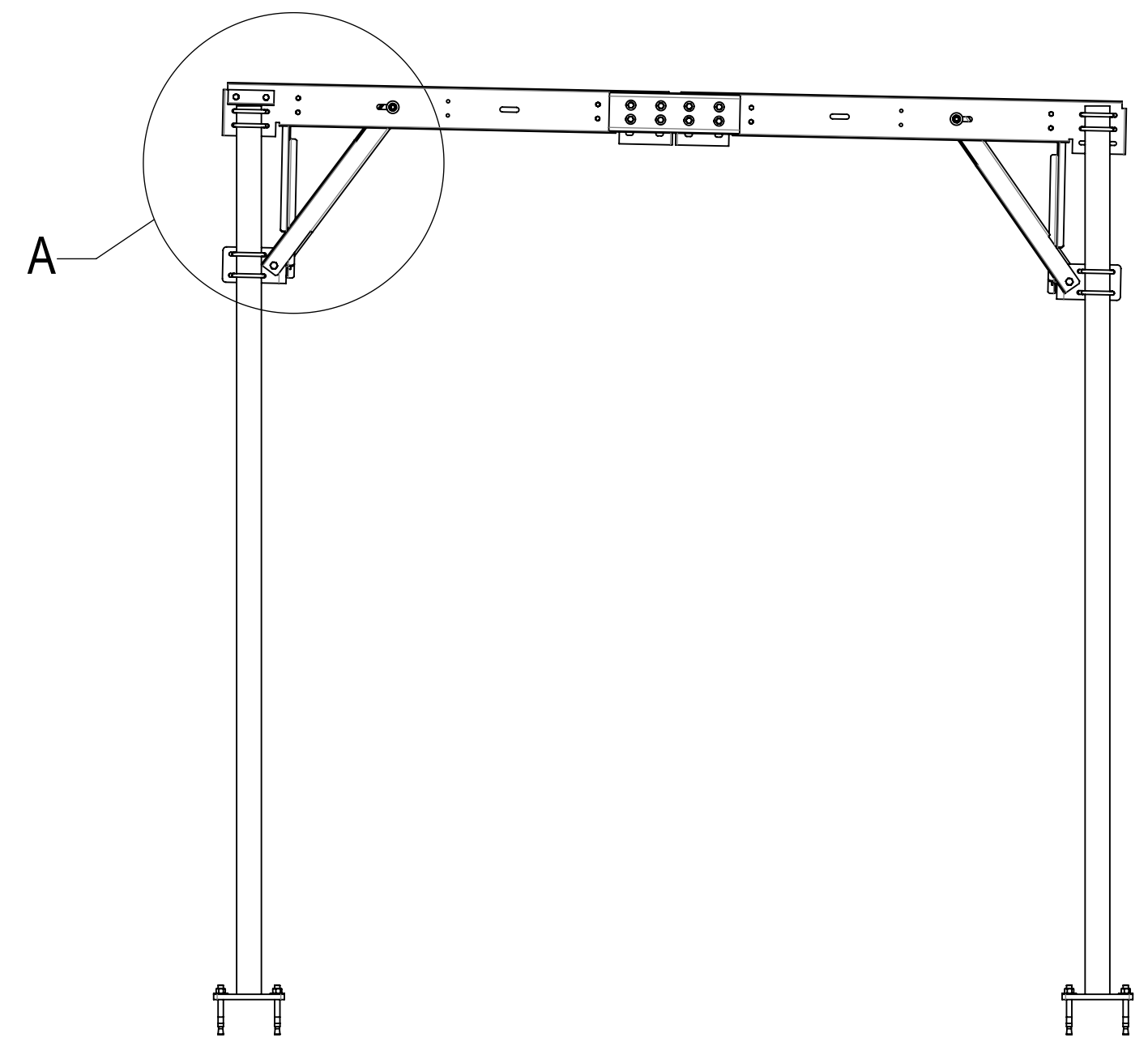
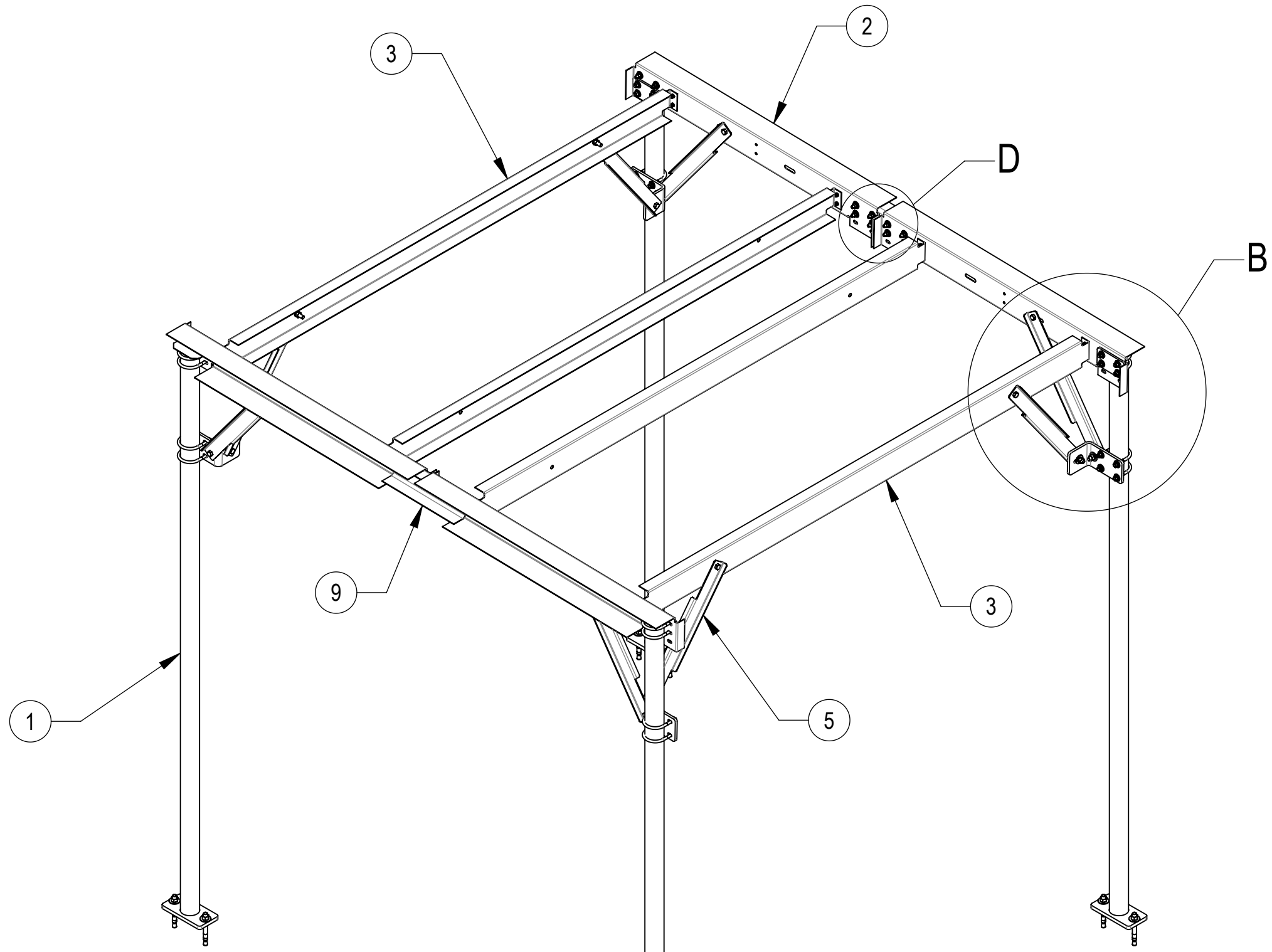
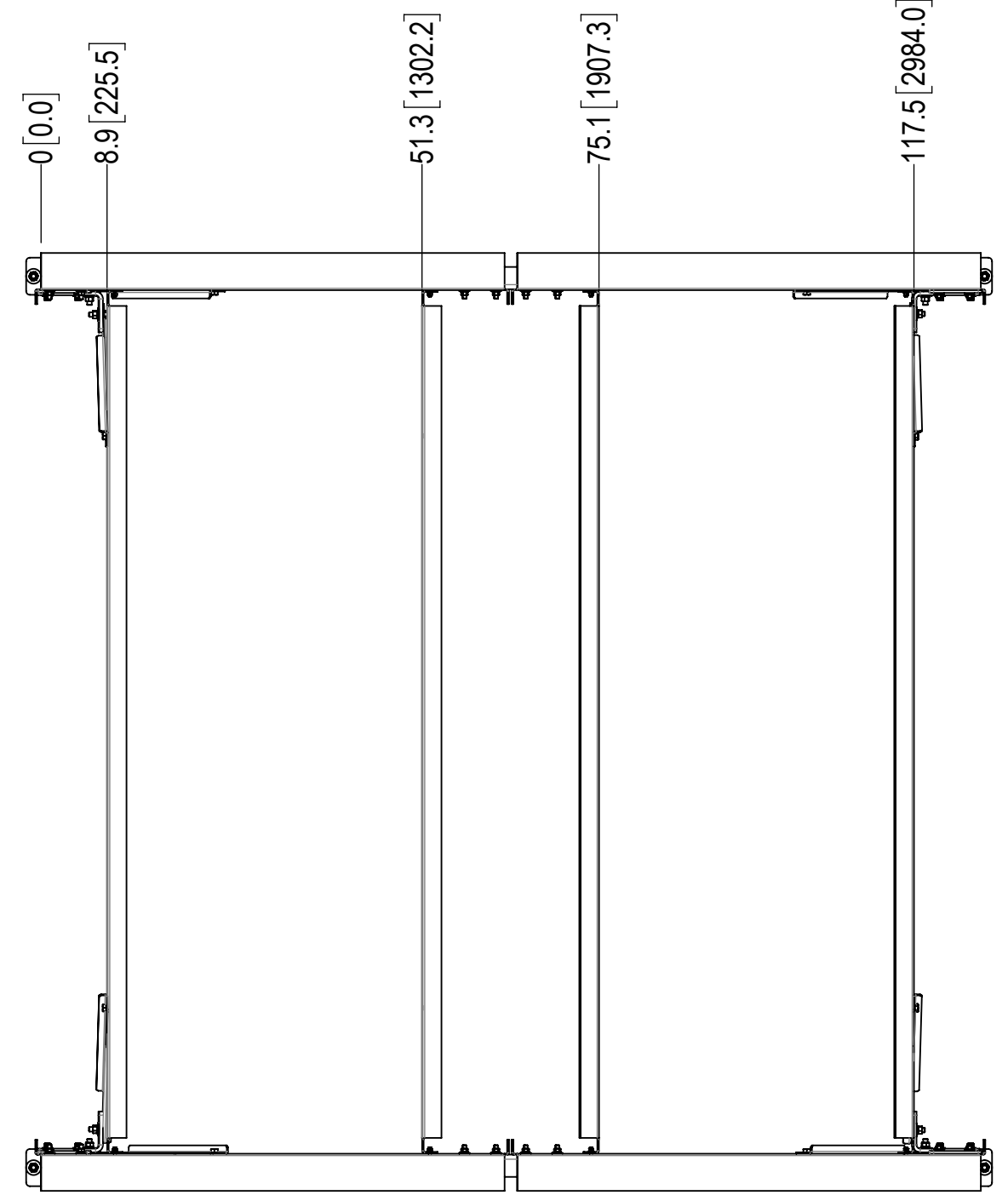
1

4

3

2

1



**DETAIL A**  
SCALE 1 : 8

**HIDE ROOF DECKING FOR CLARITY**

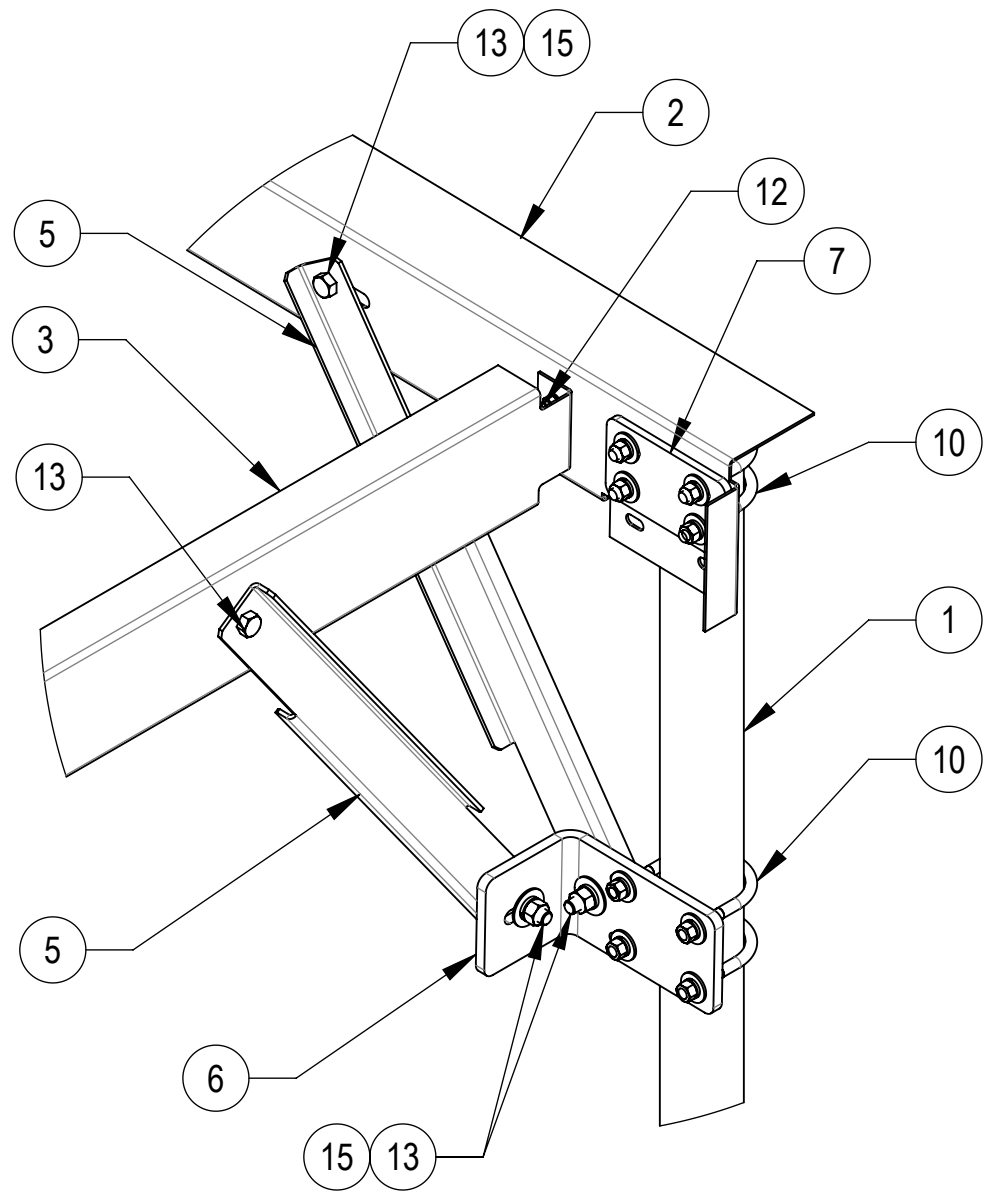
COMMSCOPE, INC. OF NORTH CAROLINA				
TITLE 10'X10' RAIN CANOPY, 10'-6"-BASE SHOE				
SIZE <b>C</b>	SCALE <b>1:22</b>	DOCUMENT NO. RC-1010-S		
		DRAWING		SHEET
		VERSION	STATUS	REVISION
		00	RE	A
				3 OF 5

4

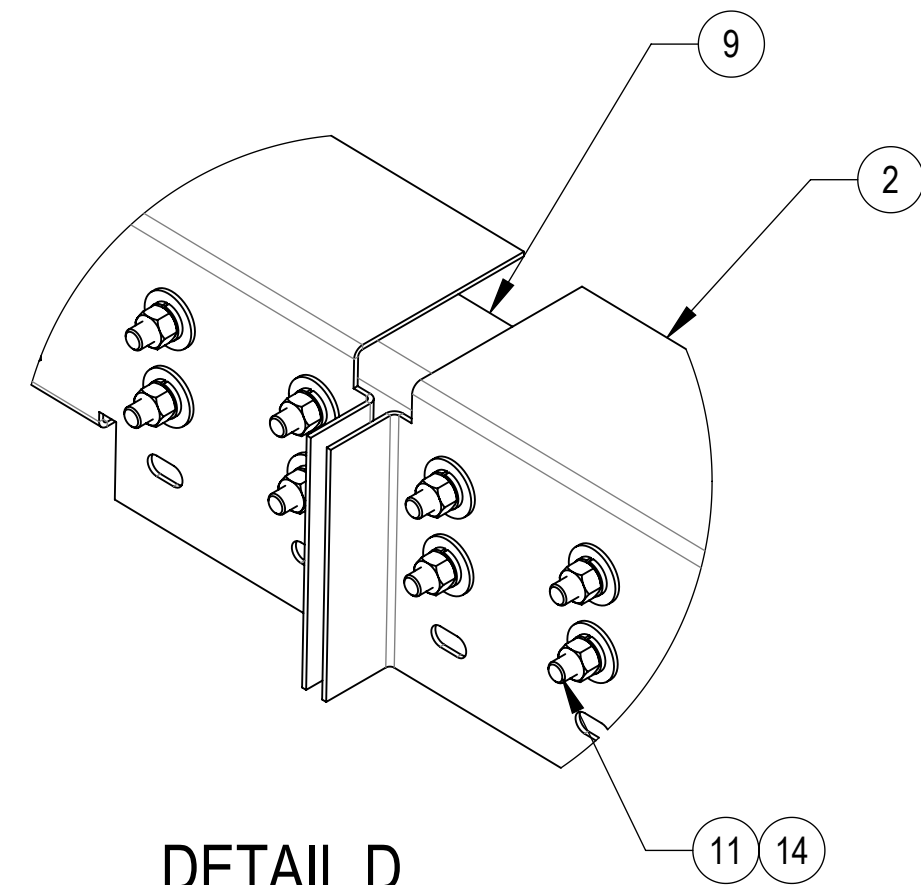
3

2

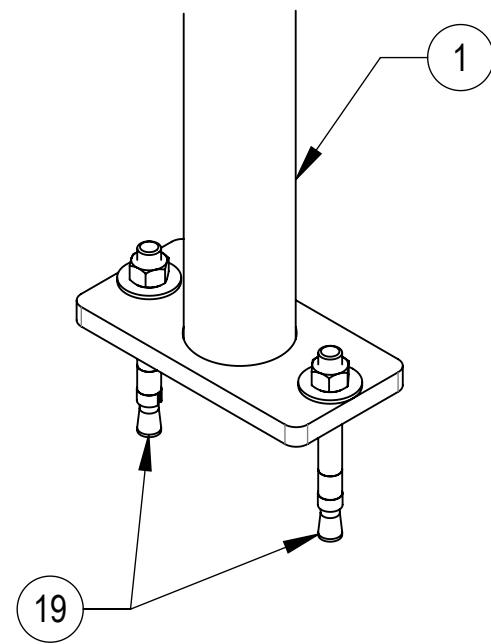
1



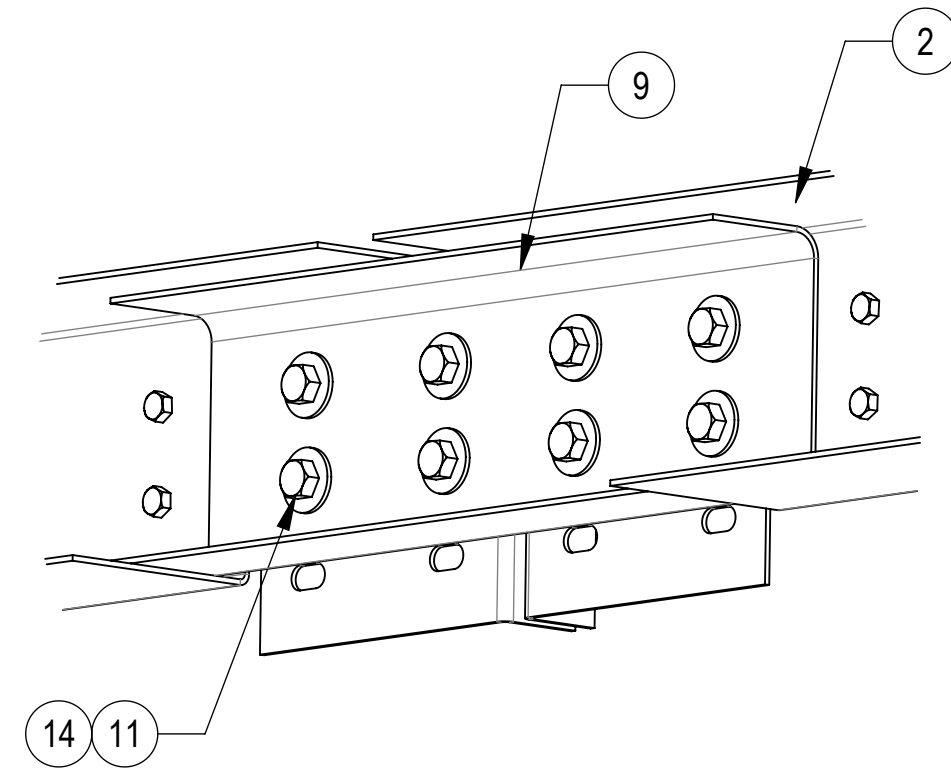
**DETAIL B**  
SCALE 1 : 8



**DETAIL D**  
SCALE 1 : 4



**DETAIL C**  
SCALE 1 : 6



**DETAIL D**  
BACK VIEW  
SCALE 1 : 4

COMMSCOPE, INC. OF NORTH CAROLINA					
TITLE 10'X10' RAIN CANOPY, 10'-6"-BASE SHOE					
SIZE <b>C</b>	SCALE <b>1:20</b>	DOCUMENT NO. RC-1010-S			
		DRAWING			SHEET 4 OF 5
		VERSION 00	STATUS RE	REVISION A	

4

3

2

1

D

D

C

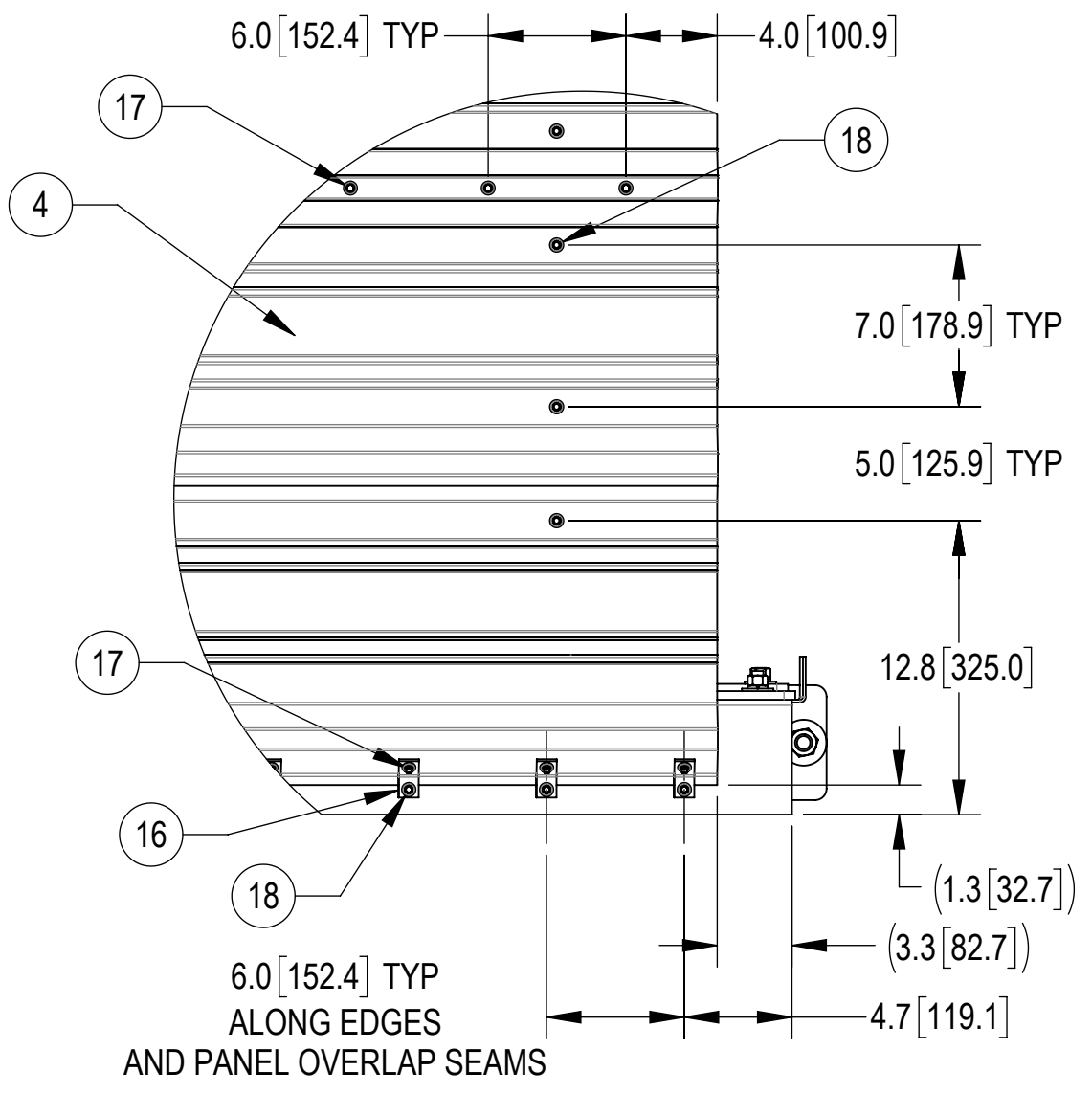
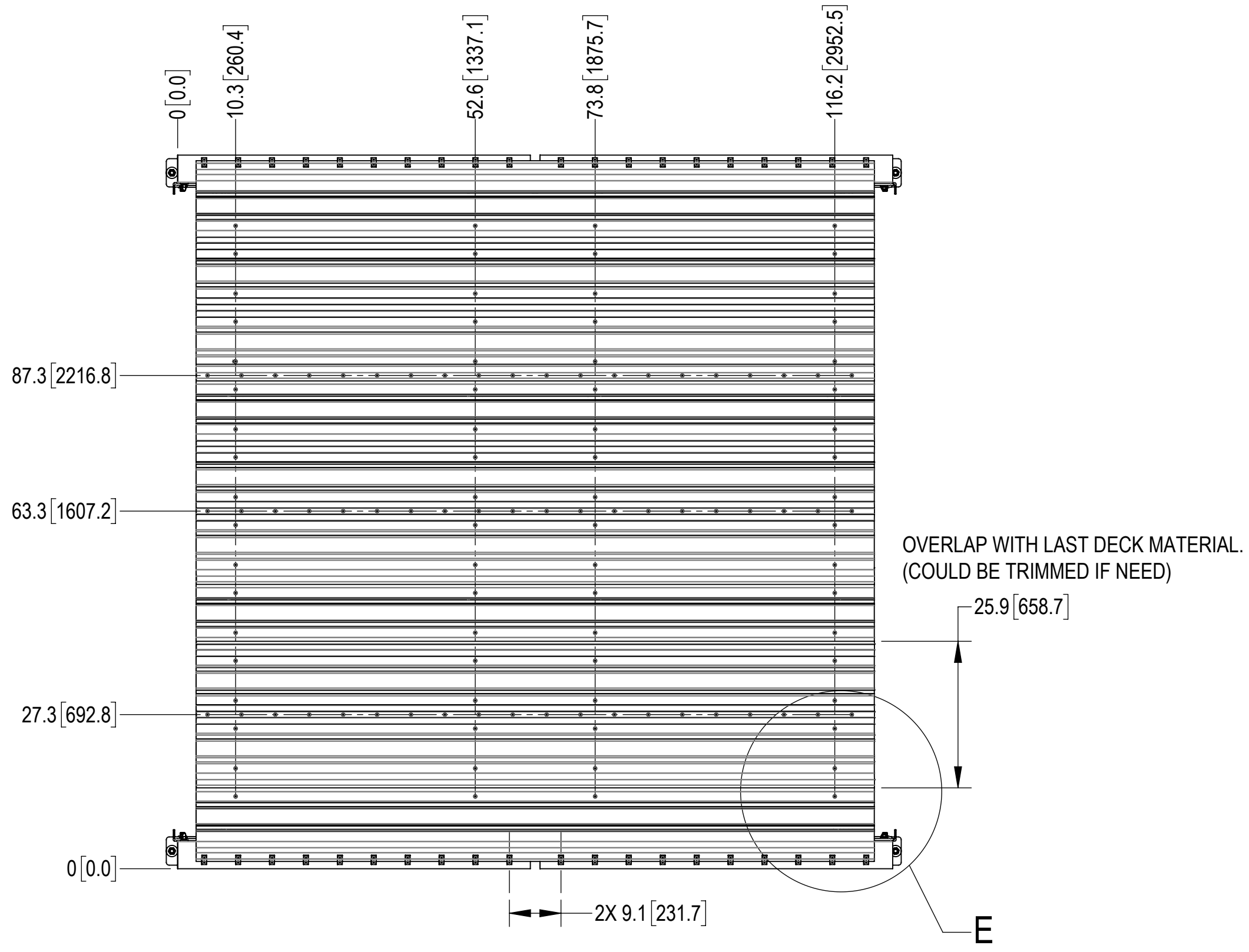
C

B

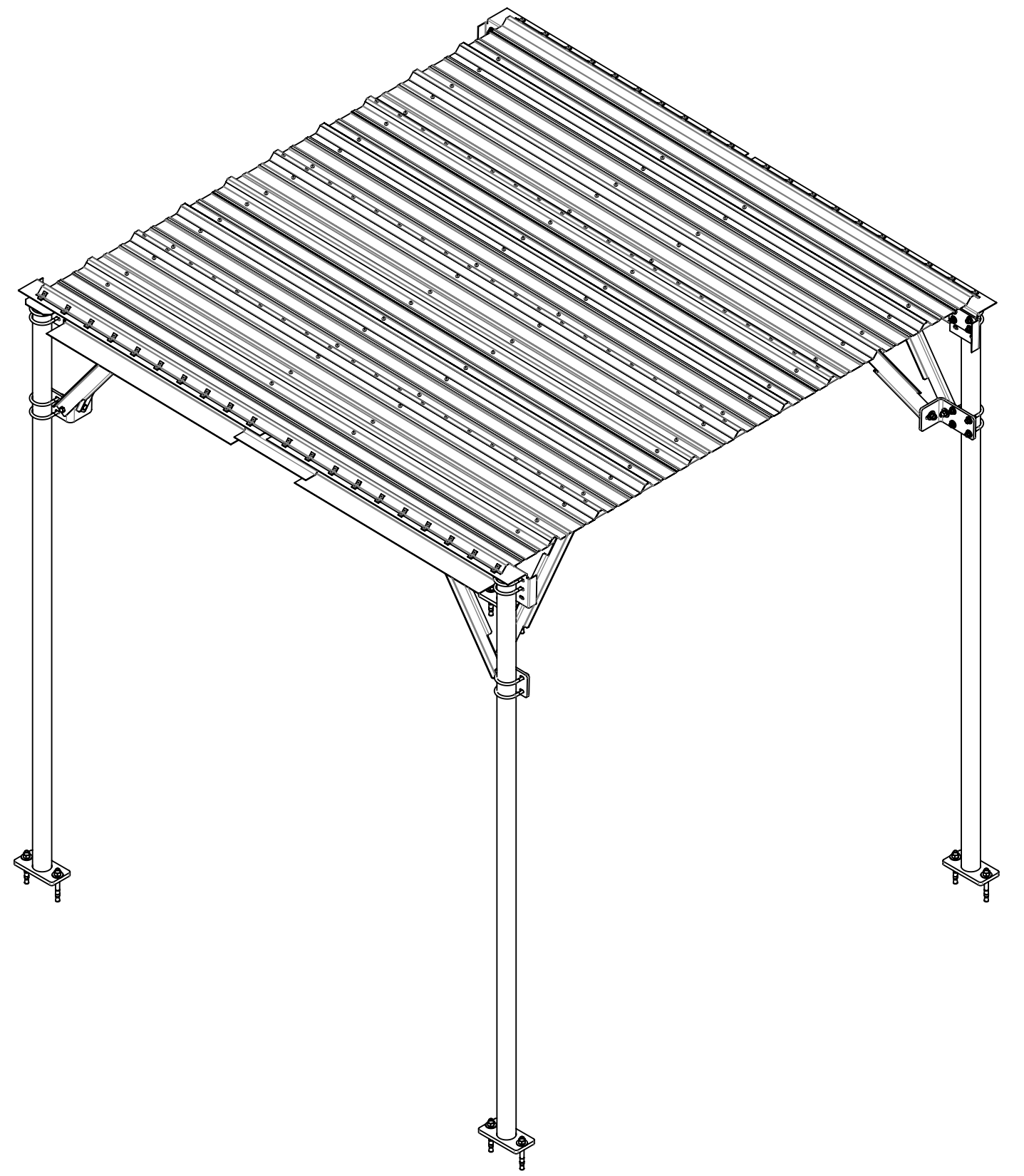
B

A

A



**DETAIL E**  
SCALE 1 : 8



COMMSCOPE, INC. OF NORTH CAROLINA				
TITLE 10'X10' RAIN CANOPY, 10'-6"-BASE SHOE				
SIZE C	SCALE 1:32	DOCUMENT NO. RC-1010-S		
		DRAWING		SHEET
		VERSION	STATUS	REVISION
		00	RE	A
				SHEET 5 OF 5

4

3

2

1